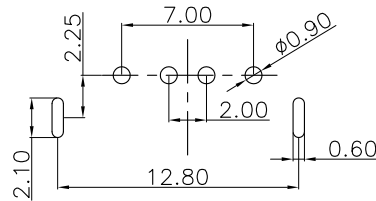
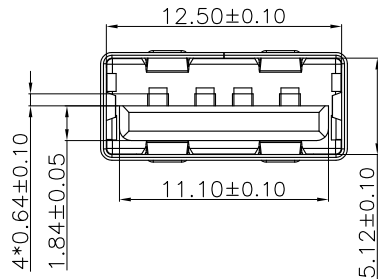


The product using material and processing must conform to the "WI-PZ-001"HSF technical standard control requirements

RoHS



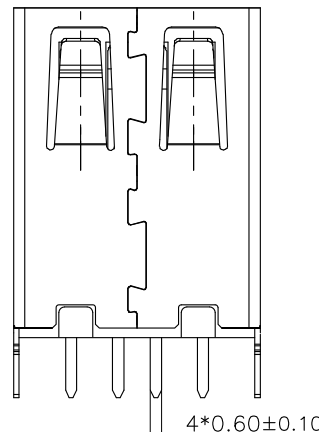
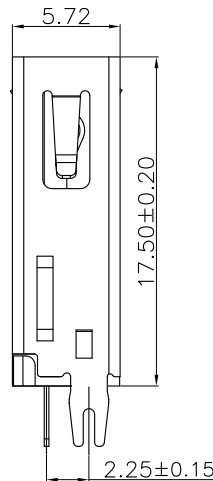
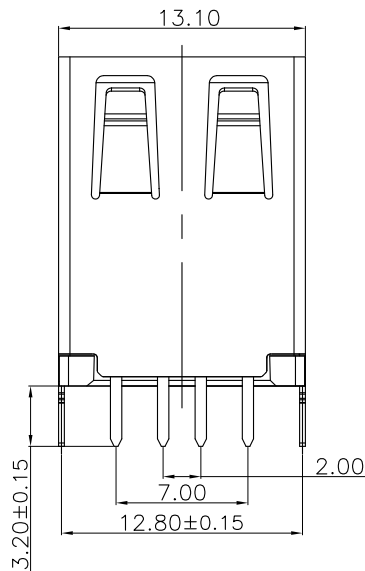
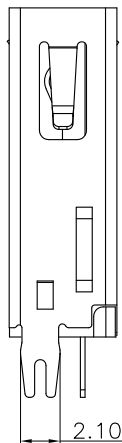
RECOMMENDED P.C.B LAYOUT P.C.B THICKNESS=1.2mm(TOLERANCE=±0.05)

NOTE:

- 1.MATERIAL SPECIFICATION:
  - 1-1.HOUSING:PBT
  - 1-2.CONTACTS:C5191H.
  - 1-3.SHELL: SPCC
- 2.PLATING SPECIFICATION:
  - 2-1.CONTACTS: Ni UNDER PLATED OVER ALL. Sn WELDING AREA PLATED OVER ALL. Au PLATED ON THE FUNCTIONAL AREA OF CONTACT.
  - 2-2. SHELL: Cu UNDER PLATED OVER ALL. Ni WELDING AREA PLATED OVER ALL.
- 3.MECHANICAL PERFORMANCE:
  - 3-1.INSERTION FORCE: 3.57kgf MAX
  - 3-2.REMOVAL FORCE: 1.02kgf MIN
  - 3-3.DURABILITY: 1500 CYCLES.
- 4.ELECTRICAL PERFORMANCE:
  - 4-1.CURRENT RATING:1.5A
  - 4-2.VOLTAGE RATING:30V MAX
  - 4-3.CONTACT RESISTANCE: 30m Ohm MAX.
  - 4-4.INSULATION RESISTANCE: 1000MΩ MIN
  - 4-5.DIELECTRIC WITHSTANDING VOLTAGE: 500V AC MIN.
- 5.ENVIRONMENTAL PERFORMANCE:
  - OPERATING TEMPERATURE: -20°C~+85°C.
- 6.P/N:

WLU2F0-04 1 X X 0154

PLATED: 1-G/F 2-Au 3u" 5-Au 15u" 6-Au 30u"  
 COLOUR: A-BLACK K-WHITE



REV.	REVISION RECORD	DATE		GENERAL TOLERANCES		SCALE:	NAME	DATE	PART.NO:	DWG.NO:	
A0	NEW RELEASE	21.01.13		LINEAR	ANGLES	1:1	Wang_jr	21.08.01	WLU2F0-041XX0154	ENDE05	
			UNIT:mm	X*REF±6°	APPROVED	Han_Gao	21.08.01	TITLE:		REV: A0 SHEET: 1/1	
			SIZE: A4	X'±3°	DESIGNER	Zijun_Huang	21.08.01	USB2.0 180°4P/F DIP L=17.5mm			
			0.00±0.25	X'±3°	DRAWN						
			0.00±0.10	X'X' ±2°							

WanLian Teconology Co., Ltd