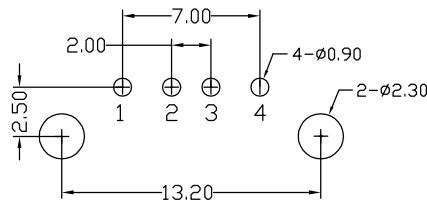
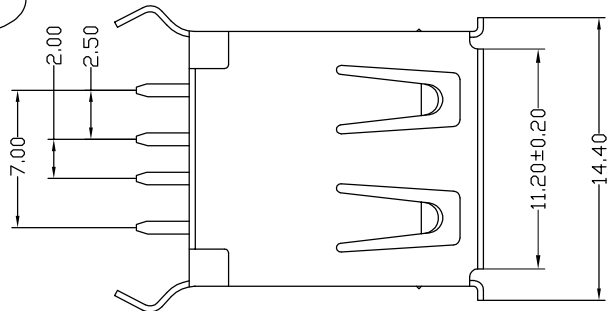


The product using material and processing must conform to the "WL-PZ-001"HSF technical standard control requirements

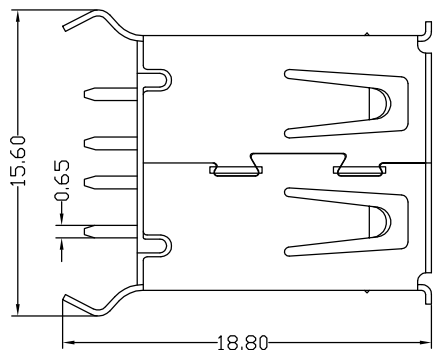
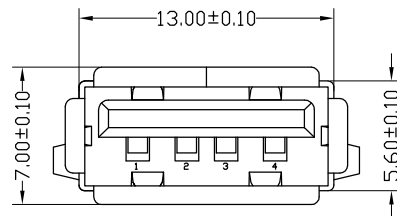
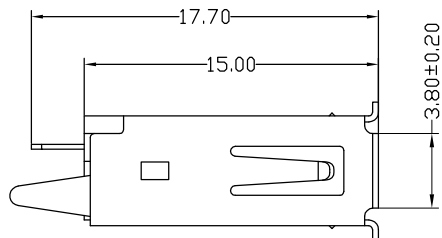
RoHS



RECOMMENDED PCB LAYOUT

NOTE:


- 1.MATERIAL SPECIFICATION:
 - 1-1.HOUSING:PBT/LCP UL94V-0
 - 1-2.CONTACTS:COPPER ALLOY(C2680).
 - 1-3.SHELL: SPCC.
- 2.PLATING SPECIFICATION:
 - 2-1.CONTACTS: Ni UNDER PLATED OVER ALL. Au PLATED ON THE FUNCTIONAL AREA OF CONTACT.
 - 2-2. SHELL: Ni UNDER PLATED OVER ALL.
- 3.MECHANICAL PERFORMANCE:
 - 3-1.INSERTION FORCE: 3.57kgf MAX
 - 3-2.REMOVAL FORCE: 1.02kgf MIN
 - 3-3.DURABILITY: 1500 CYCLES.
- 4.ELECTRICAL PERFORMANCE:
 - 4-1.CURRENT RATING:1.5A
 - 4-2.VOLTAGE RATING:30V MAX
 - 4-3.CONTACT RESISTANCE: 30m Ohm MAX.
 - 4-4.INSULATION RESISTANCE: 1000MΩ MIN
 - 4-5.DIELECTRIC WITHSTANDING VOLTAGE: 500V AC MIN.
- 5.ENVIRONMENTAL PERFORMANCE:
 - OPERATING TEMPERATURE: -20°C~+85°C.
- 6.PACKAGE SPEC: TRAY



PART NO.:

WLU2FO-04 1 X X X 061

PLATING:	1-G/F	HOUSING:	1-PBT
	2-Au 3u"		2-LCP
	5-Au 15u"	COLOUR:	A-BLACK
	6-Au 30u"		K-WHITE

REV.	REVISION RECORD	DATE	UNIT:mm	GENERAL TOLERANCES		SCALE:	NAME	DATE	PART.NO:	DWG.NO:		
A0	NEW RELEASE	21.01.13		LINEAR	ANGLES	1:1						APPROVED
			0.00±0.25	X'±3'	DESIGNER	Ding_bo	21.01.13	TITLE:			REV: A0	SHEET: 1/1
			0.00±0.10	X'X' ±2'	DRAWN	Ou_jian	21.01.13	USB2.0 A TYPE FEMALE 180° DIP				