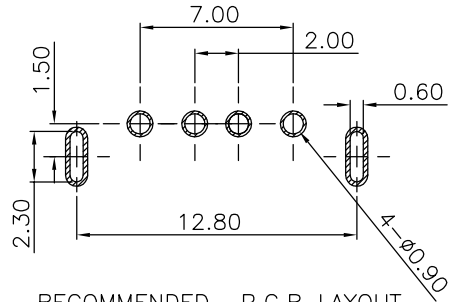
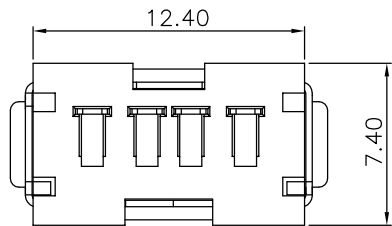
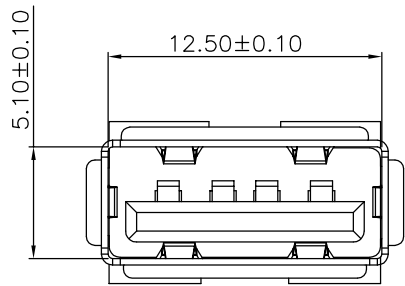
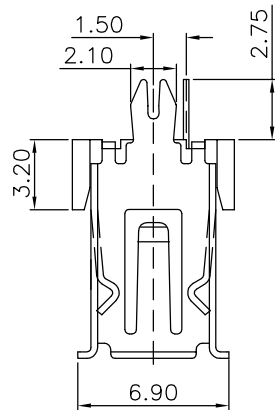
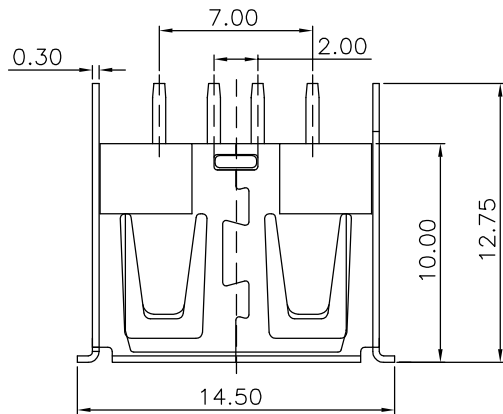


The product using material and processing must conform to the "WL-PZ-001" HSF technical standard control requirements

RoHS



RECOMMENDED P.C.B LAYOUT



NOTE:

1.MATERIAL SPECIFICATION:

- 1-1.HOUSING:PBT BLACK/WHITE UL94V-0
- 1-2.CONTACTS:C2680.
- 1-3.SHELL: SPCC/COPPER ALLOY.

2.PLATING SPECIFICATION:

- 2-1.CONTACTS:
Ni 50u" MIN. UNDER PLATED OVER ALL.
Au PLATED ON THE FUNCTIONAL AREA OF CONTACT.
- 2-2. SHELL:
Ni 30u" MIN. UNDER PLATED OVER ALL.

3.MECHANICAL PERFORMANCE:

- 3-1.INSERTION FORCE: 3.57kgf MAX
- 3-2.REMOVAL FORCE: 1.02kgf MIN
- 3-3.DURABILITY: 1500 CYCLES.

4.ELECTRICAL PERFORMANCE:

- 4-1.CURRENT RATING:1.5A
- 4-2.VOLTAGE RATING:30V MAX
- 4-3.CONTACT RESISTANCE: 30m Ohm MAX.
- 4-4.INSULATION RESISTANCE: 1000MΩ MIN
- 4-5.DIELECTRIC WITHSTANDING VOLTAGE: 500V AC MIN.

5.ENVIRONMENTAL PERFORMANCE:

OPERATING TEMPERATURE: -20~+85°C.

6.PACKAGE SPEC·FRAY

PART NO.:

WLU2FO-04 1 X X X 073

PLATING:


- 1-G/F
- 2-Au 3u"
- 5-Au 15u"
- 6-Au 30u"

SHELL:

- A-SPCC
- B-COPPER ALLOY

COLOUR:

- A-BLACK
- K-WHITE

REV.	REVISION RECORD	DATE	UNIT:mm	GENERAL TOLERANCES		SCALE: 1:1	NAME	DATE	PART.NO:	DWG.NO:	 WanLian Teconology Co., Ltd
A0	NEW RELEASE	21.01.13		LINEAR	ANGLES	APPROVED	Wang_jr	21.01.13	WLU2FO-041XXX073	ENDE05	
			0.0±0.35	X°REF±6°	DESIGNER	Ding_bo	21.01.13	TITLE:		REV: A0	SHEET: 1/1
			0.00±0.25	X°±3°	DRAWN	Ou_jian	21.01.13	USB2.0 A TYPE FEMAL 180° DIP			
			SIZE: A4	0.000±0.10	X°X' ±2°						