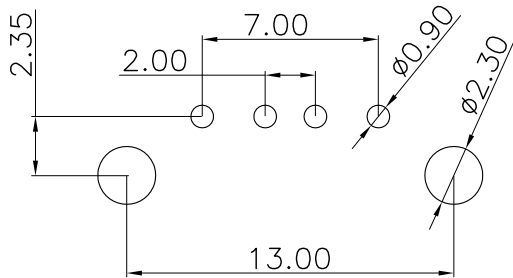
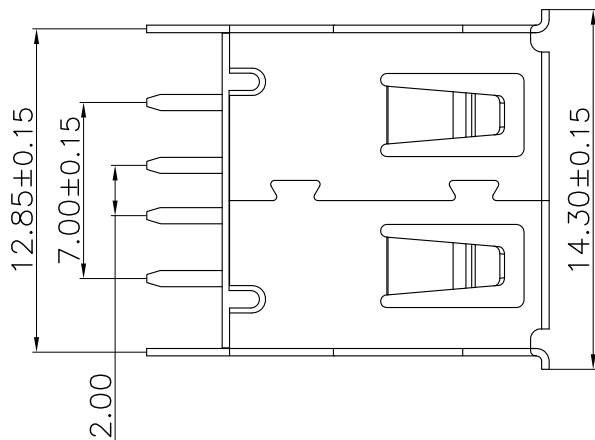
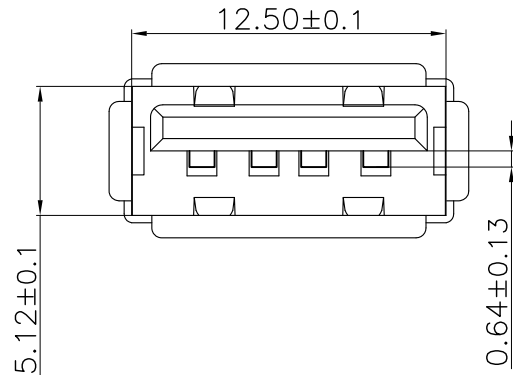
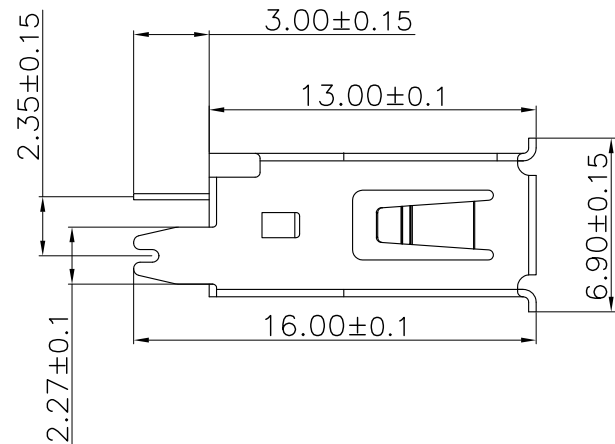


The product using material and processing must conform to the "WI-PZ-001"HSF technical standard control requirements

RoHS



RECOMMENDED P.C.B LAYOUT P.C.B THICKNESS=1.2mm(TOLERANCE=±0.05)

NOTE:

1.MATERIAL SPECIFICATION:

- 1-1.HOUSING:PBT/LCP
- 1-2.CONTACTS:C2680H.
- 1-3.SHELL: SPCC

2.PLATING SPECIFICATION:

- 2-1.CONTACTS:
Ni UNDER PLATED OVER ALL.
Sn ON SOLDER AREA
Au PLATED ON THE FUNCTIONAL AREA OF CONTACT.

- 2-2. SHELL:
Cu UNDER PLATED OVER ALL.
Ni ON SOLDER AREA

3.MECHANICAL PERFORMANCE:

- 3-1.INSERTION FORCE: 3.57kgf MAX
- 3-2.REMOVAL FORCE: 1.02kgf MIN
- 3-3.DURABILITY: 1500 CYCLES.

4.ELECTRICAL PERFORMANCE:

- 4-1.CURRENT RATING:1.5A
- 4-2.VOLTAGE RATING:30V MAX
- 4-3.CONTACT RESISTANCE: 30m Ohm MAX.
- 4-4.INSULATION RESISTANCE: 1000MΩ MIN
- 4-5.DIELECTRIC WITHSTANDING VOLTAGE: 500V AC MIN.

5.ENVIRONMENTAL PERFORMANCE:

- OPERATING TEMPERATURE: -20°C~+85°C.

6.P/N:

WLU2F0-04 1 X X X 147

- | | |
|-----------|----------|
| PLATED: | HOUSING: |
| 1-G/F | 1-PBT |
| 2-Au 3u" | 2-LCP |
| 5-Au 15u" | COLOUR: |
| 6-Au 30u" | A-BLACK |
| | K-WHITE |

REV.	REVISION RECORD	DATE	UNIT:mm	GENERAL TOLERANCES		SCALE:	NAME	DATE	PART.NO:	DWG.NO:	
AO	NEW RELEASE	21.01.13		LINEAR	ANGLES	1:1	APPROVED	21.08.01	WLU2F0-041XXX147	ENDE05	
			0.00±0.25	X°±3°	DESIGNER	Han_Gao	21.08.01	TITLE:		REV: A0	SHEET: 1/1
			0.000±0.10	X°X' ±2°	DRAWN	Zijun_Huang	21.08.01	USB2.0 180° 4P/F H=13.00mm			