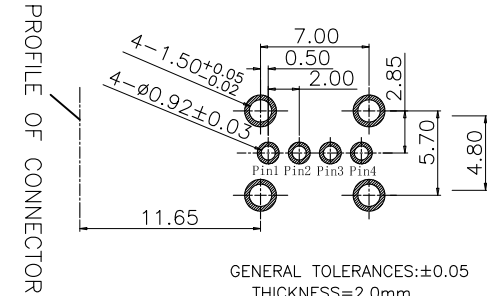
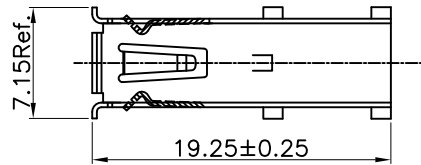


The product using material and processing must conform to the "WI-PZ-001"HSF technical standard control requirements

RoHS+HF

Pin Assignment

Pin No.	Signal Name	Typical Wiring Assignment
Pin1	VBUS	Red
Pin2	Data+	White
Pin3	Data-	Green
Pin4	Ground	Black
Shell	Shield	Drain wire



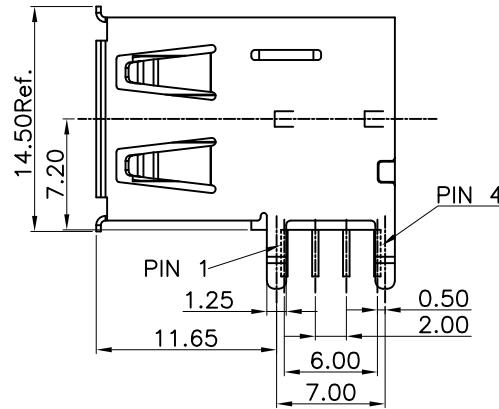
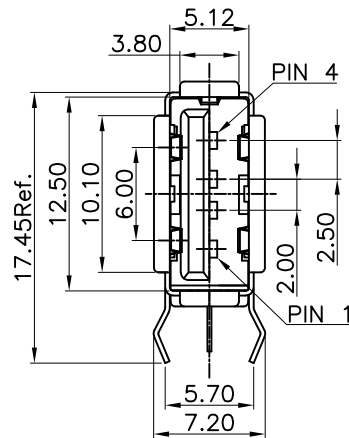
GENERAL TOLERANCES:±0.05
THICKNESS=2.0mm
PAD AREA

NOTE:

- MATERIAL:
HOUSING: PBT, BLACK; UL94V-0;
CONTACT: C2680H
SHELL: C2680
COVER: FERRO ALLOY
- FINISH:
CONTACT: GOLD FLASH PLATED ON CONTACT AREA,
80U" MIN. TIN PLATED ON SOLDER TAILS,
30U" MIN. NICKEL UNDERPLATING OVER ALL.
SHELL: 50U" MIN. NICKEL UNDERPLATING OVER ALL.
- SPECIFICATION:
3.1: RATING:
RATED VOLTAGE: 30V AC/DC. RATED CURRENT: 1.5A MAX.
3.2: ELECTRICAL:
INSULATION RESISTANCE:
1000MΩ MIN. AT 500V/DC FOR 1MINUTE.
CONTACT RESISTANCE:
30MΩ MAX. AT 20MV MAX, 50MA
DIELECTRIC WITHSTANDING VOLTAGE:
NO DISCHARGE, FLASHOVER OR BREAKDOWN AT 500V/AC 1MINUTE
- MECHANICAL CHARACTERISTIC
MATING FORCE: 35N(3.57KGF) MAX.
UNMATING FORCE: 10N(1.02KGF) MIN.
DURABILITY: 1500 CYCLES.
- PACKAGING: TRAY

PART.NO.: WLU2F9-041 X X 0004

PLATING: 1-G/F
2-Au 3u"
5-Au 15u"
6-Au 30u"
COLOUR:
A-BLACK
K-WHITE



REV.	REVISION RECORD	DATE	GENERAL TOLERANCES		SCALE:	NAME	DATE	PART.NO:	DWG.NO:	 WanLian Teconology Co., Ltd
A0	NEW RELEASE	21.01.13	LINEAR	ANGLES	1:1	Wang_jr	21.01.13	WLU2F9-041XX0004	ENDE05	
			0.0±0.35	X°REF±6°	APPROVED	Han_Gao	21.01.13	TITLE: USB2.0 AF 单层 侧插	REV: A0	SHEET: 1/1
			UNIT:mm	0.00±0.25	DESIGNER	Zijun_Huang	21.01.13			
			SIZE: A4	0.000±0.10	DRAWN					