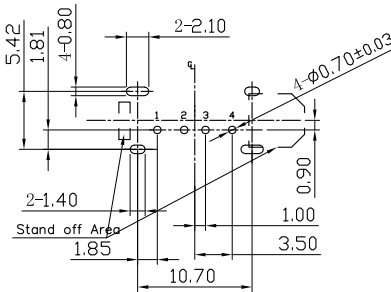


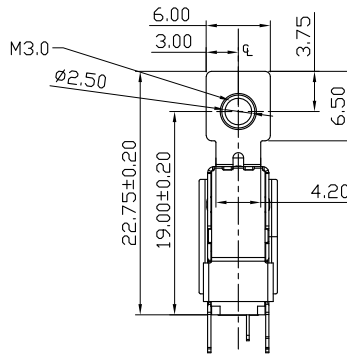
The product using material and processing must conform to the "WI-PZ-001" HSF technical standard control requirements



PCB LAYOUT (TOP VIEW)  
GENERAL TOLERANCES:±0.05

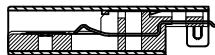
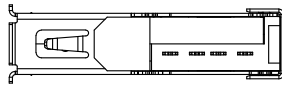
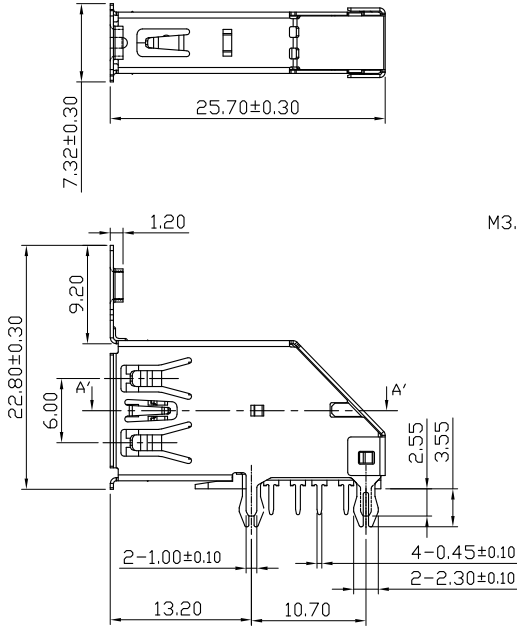
NOTE:

- 1.MATERIAL SPECIFICATION:
  - 1-1.HOUSING:LCP BLACK UL94V-0
  - 1-2.CONTACTS:COPPER ALLOY .
  - 1-3.SHELL: SUS304.
- 2.PLATING SPECIFICATION:
  - 2-1.CONTACTS:
    - Ni 50u" MIN. UNDER PLATED OVER ALL.
    - Au PLATED ON THE FUNCTIONAL AREA OF CONTACT.
  - 2-2. SHELL:
    - Ni 30u" MIN. UNDER PLATED OVER ALL.
- 3.MECHANICAL PERFORMANCE:
  - 3-1.INSERTION FORCE: 3.57kgf MAX
  - 3-2.REMOVAL FORCE: 1.02kgf MIN
  - 3-3.DURABILITY:5000 CYCLES.
- 4.ELECTRICAL PERFORMANCE:
  - 4-1.CURRENT RATING:1.5A
  - 4-2.VOLTAGE RATING:30V MAX
  - 4-3.CONTACT RESISTANCE: 30m Ohm Max.
  - 4-4.INSULATION RESISTANCE: 1000MΩ MIN
  - 4-5.DIELECTRIC WITHSTANDING VOLTAGE: 500V AC Min
- 5.ENVIRONMENTAL PERFORMANCE:
  - OPERATING TEMPERATURE: -20°C~+85°C.
- 6.PACKAGE SPEC:TRAY



FEMALE

SECTION A-A'



PLUG

PART.NO.:

WLU2F9-04 1 X X 0009

PLATING:

- 1-G/F
- 2-AU 3U"
- 5-AU 15U"
- 6-AU 30U"

COLOUR:

- A:BLACK
- K:WHITE

Pin Number	Signal Name
1	VBUS
2	D-
3	D+
4	GND
Shell	Shield

REV.	REVISION RECORD	DATE	GENERAL TOLERANCES		SCALE:	NAME	DATE	PART. NO.:	DWG. NO.:	 WanLian Teconology Co., Ltd
A0	NEW RELEASE	21.01.13	LINEAR	ANGLES	1:1	Wang_jr	21.01.13	WLU2F9-041XX0009	ENDE05	
			0.0±0.35	X° REF±6°	APPROVED	Ding_bo	21.01.13	TITLE:	USB2.0 AF 单层 侧插 有耳	
			UNIT: mm	X° ±3°	DESIGNER	Ou_jian	21.01.13	REV: A0		
			SIZE: A4	0.000±0.10	DRAWN					