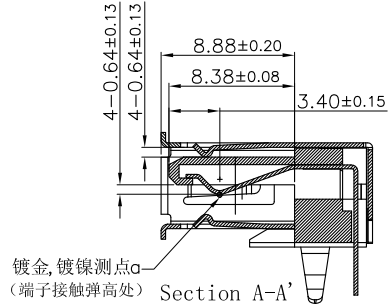
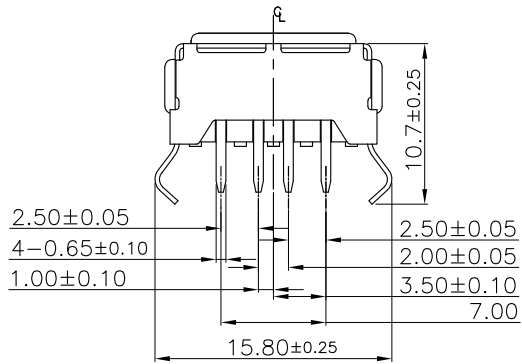


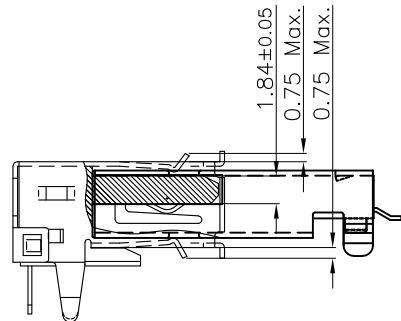
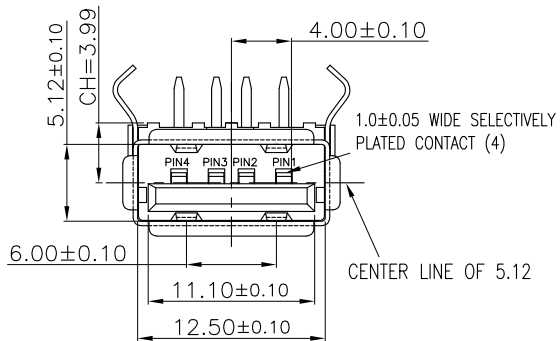
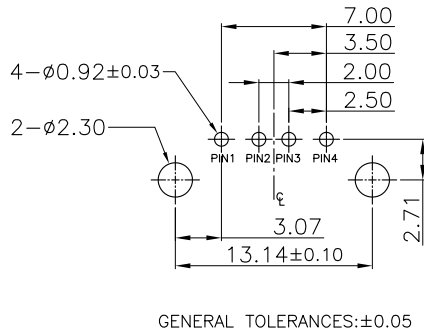
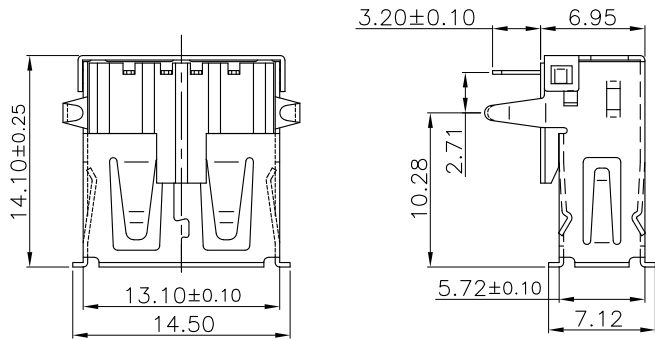
The product using material and processing must conform to the "WI-PZ-001" HSF technical standard control requirements

RoHS+HF



NOTE:

- 1.MATERIAL SPECIFICATION:
 - 1-1.HOUSING:LCP BLACK UL94V-0
 - 1-2.CONTACTS:COPPER ALLOY C2680.
 - 1-3.SHELL:STAINLESS STEEL SUS304.
- 2.PLATING SPECIFICATION:
 - 2-1.CONTACTS: NI 50U" MIN. UNDER PLATED OVER ALL. AU PLATED ON THE FUNCTIONAL AREA OF CONTACT.
 - 2-2. SHELL: NI 30U" MIN. UNDER PLATED OVER ALL.
- 3.MECHANICAL PERFORMANCE:
 - 3-1.INSERTION FORCE: 3.57KGF MAX
 - 3-2.REMOVAL FORCE: 1.02KGF MIN
 - 3-3.DURABILITY: 5000 CYCLES.
- 4.ELECTRICAL PERFORMANCE:
 - 4-1.CURRENT RATING:1.5A
 - 4-2.VOLTAGE RATING:30V MAX
 - 4-3.CONTACT RESISTANCE: 30M OHM MAX.
 - 4-4.INSULATION RESISTANCE: 1000MΩ MIN
 - 4-5.DIELECTRIC WITHSTANDING VOLTAGE: 500V AC MIN
- 5.ENVIRONMENTAL PERFORMANCE:
 - OPERATING TEMPERATURE: -20°C~+85°C.
- 6.PACKAGE SPEC:REEL



PLUG INSERTION VIEW
SPRING OVER SHELL SURFACE

WLU2F9-04 1 X X 0010

PLATING: 1-G/F 2-AU 3U" 5-AU 15U" 6-AU 30U"
COLOUR: A:BLACK K:WHITE

REV.	REVISION RECORD	DATE		GENERAL TOLERANCES		SCALE: 1:1	NAME	DATE	PART. NO:	DWG. NO:	 WanLian Teconology Co., Ltd
A0	NEW RELEASE	21.01.13		LINEAR	ANGLES	APPROVED	Wang_jr	21.01.13	WLU2F9-041XX0010	ENDE05	
			0.0±0.35	X° REF±6°	DESIGNER	Ding_bo	21.01.13	TITLE:		REV: A0 SHEET: 1/1	
			UNIT: mm	X° ±3°	DRAWN	Ou_jian	21.01.13	USB2.0 AF 单层 DIP 插板 打脚			
			SIZE: A4	X° X'±2°							