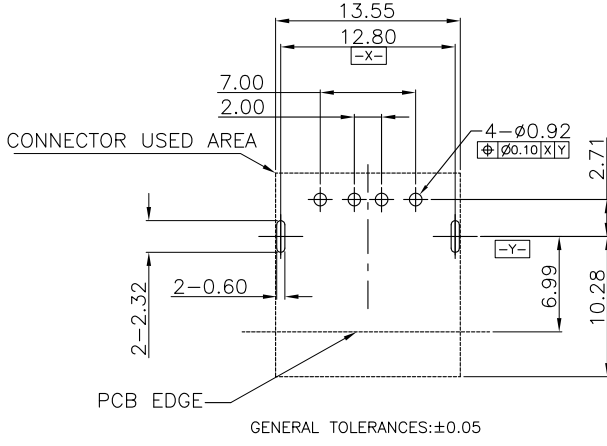
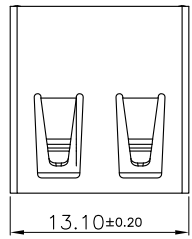
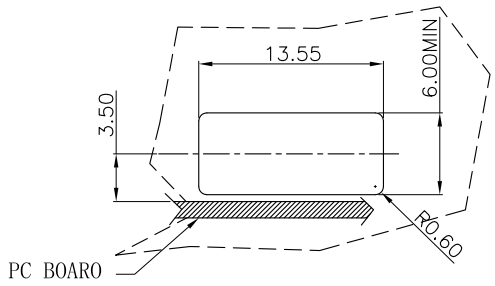
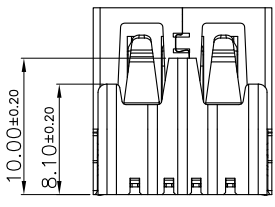
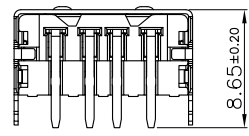
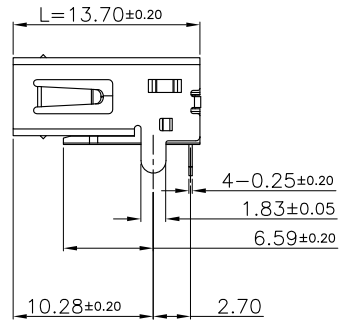
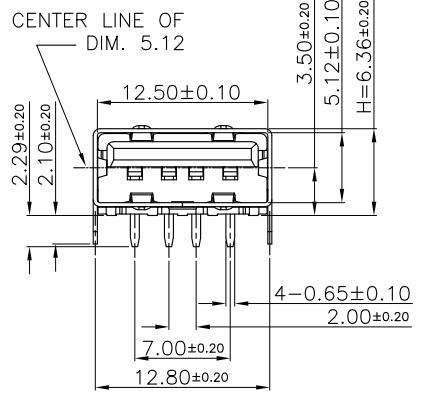


The product using material and processing must conform to the "WI-PZ-001" HSF technical standard control requirements

RoHS



GENERAL TOLERANCES: ±0.05



NOTE:  
 1.MATERIAL SPECIFICATION:  
 1-1.HOUSING:PBT BLACK UL94V-0  
 1-2.CONTACTS:COPPER ALLOY.  
 1-3.SHELL:COPPER ALLOY.  
 2.PLATING SPECIFICATION:  
 2-1.CONTACTS:  
 Ni 50u" MIN. UNDER PLATED OVER ALL.  
 Au PLATED ON THE FUNCTIONAL AREA OF CONTACT.  
 2-2. SHELL:  
 Ni 30u" MIN. UNDER PLATED OVER ALL.  
 3.MECHANICAL PERFORMANCE:  
 3-1.INSERTION FORCE: 3.57kgf MAX  
 3-2.REMOVAL FORCE: 1.02kgf MIN  
 3-3.DURABILITY:1500 CYCLES.  
 4.ELECTRICAL PERFORMANCE:  
 4-1.CURRENT RATING:1.5A  
 4-2.VOLTAGE RATING:30V MAX  
 4-3.CONTACT RESISTANCE: 30m Ohm Max.  
 4-4.INSULATION RESISTANCE: 1000MΩ MIN  
 4-5.DIELECTRIC WITHSTANDING VOLTAGE: 500V AC Min  
 5.ENVIRONMENTAL PERFORMANCE:  
 OPERATING TEMPERATURE: -20°C~+85°C.  
 6.PACKAGE SPEC:260PCS/REEL, 2080PCS/CARTON

WLU2F9-04 1 X X 0011

PLATING: 1-G/F 2-AU 3U" 5-AU 15U" 6-AU 30U"  
 COLOUR: A:BLACK K:WHITE

REV.	REVISION RECORD	DATE		GENERAL TOLERANCES		SCALE: 1:1	NAME	DATE	PART. NO: WLU2F9-041XX0011	DWG. NO: ENDE05	
A0	NEW RELEASE	21.01.13		LINEAR	ANGLES	APPROVED	Wang_jr	21.01.13			
			0.00±0.25	X° ±3°	DESIGNER	Ding_bo	21.01.13	TITLE:			
			0.000±0.10	X° X'±2°	DRAWN	Ou_jian	21.01.13	USB2.0 AF 单层 DIP 插板 打直脚			
			UNIT: mm						REV: A0	SHEET: 1/1	