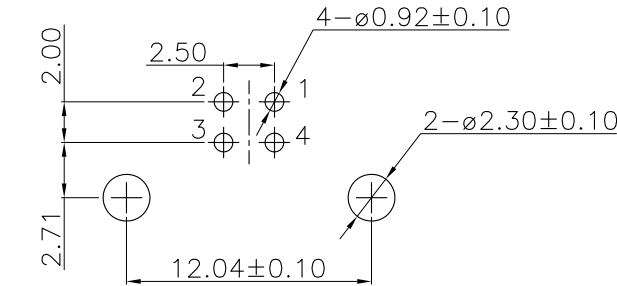
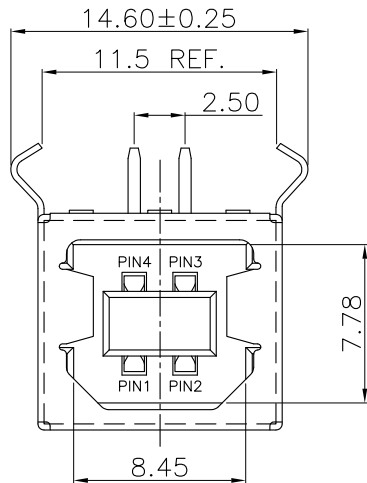
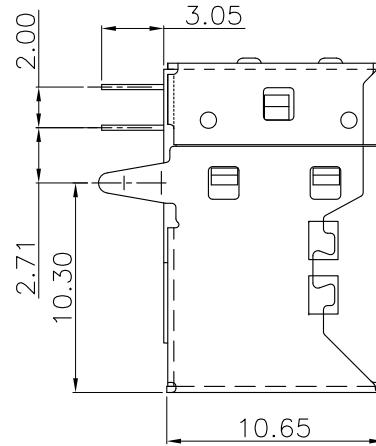
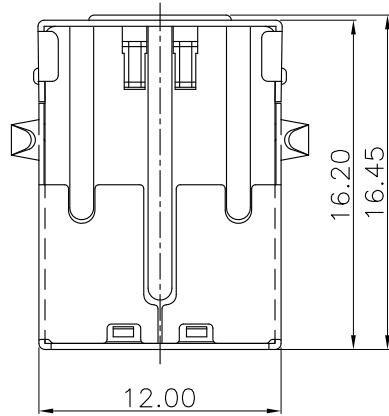


The product using material and processing must conform to the "WI-PZ-001" HSF technical standard control requirements

RoHS




RECOMMENDED PCB LAYOUT(TOP VIEW)  
GENERAL TOLERANCES: ±0.05

NOTE:

- 1.MATERIAL SPECIFICATION:
  - 1-1.HOUSING:PBT BLACK UL94V-0
  - 1-2.CONTACTS:COPPER ALLOY.
  - 1-3.SHELL:COPPER ALLOY.
- 2.PLATING SPECIFICATION:
  - 2-1.CONTACTS:  
Ni 50u" MIN. UNDER PLATED OVER ALL.  
Au PLATED ON THE FUNCTIONAL AREA OF CONTACT.
  - 2-2. SHELL:  
Ni 30u" MIN. UNDER PLATED OVER ALL.
- 3.MECHANICAL PERFORMANCE:
  - 3-1.INSERTION FORCE: 3.57kgf MAX
  - 3-2.REMOVAL FORCE: 1.02kgf MIN
  - 3-3.DURABILITY: 1500 CYCLES.
- 4.ELECTRICAL PERFORMANCE:
  - 4-1.CURRENT RATING:1.5A
  - 4-2.VOLTAGE RATING:30V MAX
  - 4-3.CONTACT RESISTANCE: 30m Ohm Max.
  - 4-4.INSULATION RESISTANCE: 1000MΩ MIN
  - 4-5.DIELECTRIC WITHSTANDING VOLTAGE: 500V AC Min
- 5.ENVIRONMENTAL PERFORMANCE:  
OPERATING TEMPERATURE: -20°C~+85°C.
- 6.PACKAGE SPEC:TRAY

WLU2F9-04 1 X X 0013

PLATING:   
 1-G/F   
 2-AU 3U"   
 5-AU 15U"   
 6-AU 30U"   
 COLOUR:   
 A:BLACK   
 K:WHITE

REV.	REVISION RECORD	DATE	UNIT: mm	GENERAL TOLERANCES		SCALE:	NAME	DATE	PART. NO:	DWG. NO:	 WanLian Teconology Co., Ltd
A0	NEW RELEASE	21.01.13		LINEAR	ANGLES	1:1					
			0.00±0.25	X° ±3°	APPROVED	Wang_jr	21.01.13	WLU2F9-041XX0013	ENDE05		
			0.000±0.10	X° X'±2°	DESIGNER	Ding_bo	21.01.13	TITLE: USB2.0 BF 单层 90度 插板			
			SIZE: A4		DRAWN	Ou_jian	21.01.13			REV: A0	SHEET: 1/1