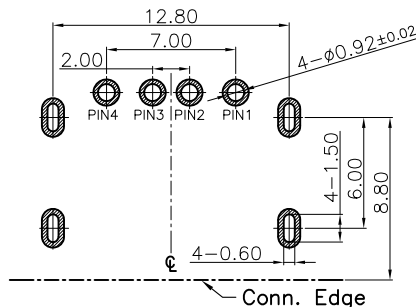
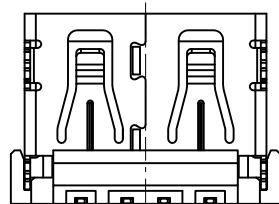
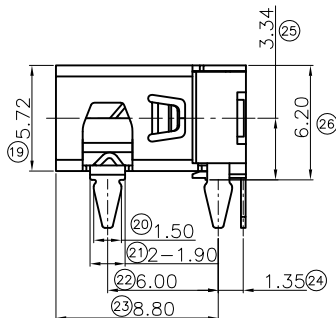
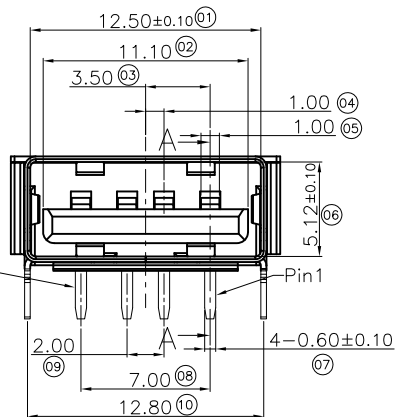
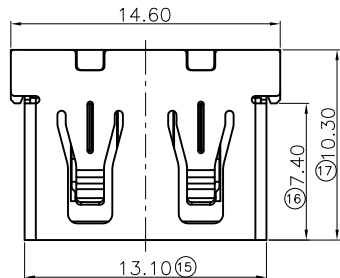
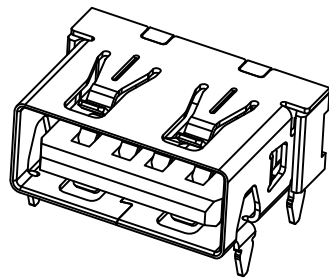


The product using material and processing must conform to the "WI-PZ-001" HSF technical standard control requirements

RoHS+HF



RECOMMENDED PCB LAYOUT(TOP VIEW)
GENERAL TOLERANCES:±0.05
(PCB T=0.60 Max.)

NOTE:

1.MATERIAL SPECIFICATION:

- 1-1.HOUSING:LCP BLACK UL94V-0
- 1-2.CONTACTS:COPPER ALLOY.
- 1-3.SHELL: COPPER ALLOY.

2.PLATING SPECIFICATION:

2-1.CONTACTS:

- NI 50U" MIN. UNDER PLATED OVER ALL.
- AU PLATED ON THE FUNCTIONAL AREA OF CONTACT.

2-2. SHELL:

- NI 30U" MIN. UNDER PLATED OVER ALL.

3.MECHANICAL PERFORMANCE:

- 3-1.INSERTION FORCE: 3.57KGF MAX
- 3-2.REMOVAL FORCE: 1.02KGF MIN
- 3-3.DURABILITY: 1500 CYCLES.

4.ELECTRICAL PERFORMANCE:


- 4-1.CURRENT RATING:1.5A
- 4-2.VOLTAGE RATING:30V MAX
- 4-3.CONTACT RESISTANCE: 30m OHM MAX.
- 4-4.INSULATION RESISTANCE: 1000MΩ MIN
- 4-5.DIELECTRIC WITHSTANDING VOLTAGE: 500V AC MIN

5.ENVIRONMENTAL PERFORMANCE:

- OPERATING TEMPERATURE: -20°C~+85°C.

WLU2F9-04 1 X X 0024

PLATING: 1-G/F 2-AU 3U" 5-AU 15U" 6-AU 30U"
COLOUR: A:BLACK K:WHITE

REV.	REVISION RECORD	DATE	UNIT: mm	GENERAL TOLERANCES		SCALE:	NAME	DATE	PART. NO:	DWG. NO:	 WanLian Teconology Co., Ltd
A0	NEW RELEASE	21.01.13		LINEAR	ANGLES	1:1	APPROVED	21.01.13	WLU2F9-041XX0024	ENDE05	
				0.00±0.25	X° ±3°		DESIGNER	21.01.13	TITLE:		REV: A0 SHEET: 1/1
			SIZE: A4	0.000±0.10	X° X'±2°		DRAWN	21.01.13	USB2.0 AF 单层短体 90度插板 打直脚 无边		