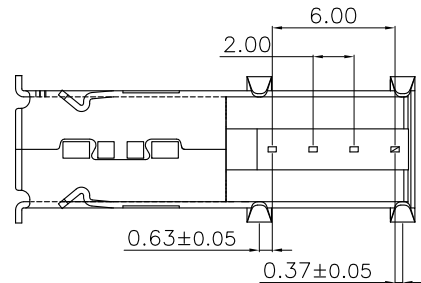
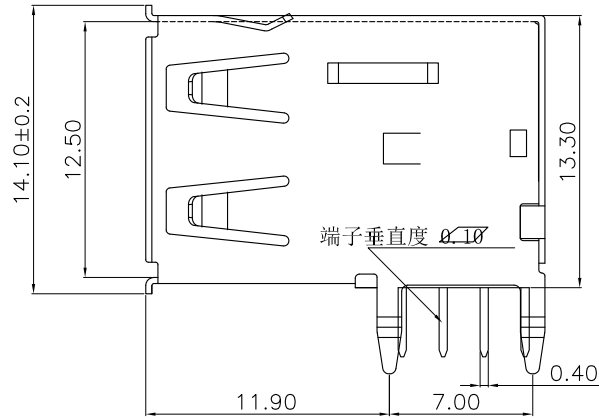
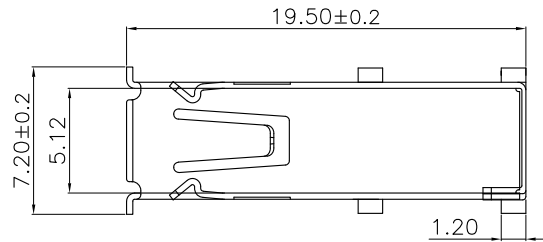
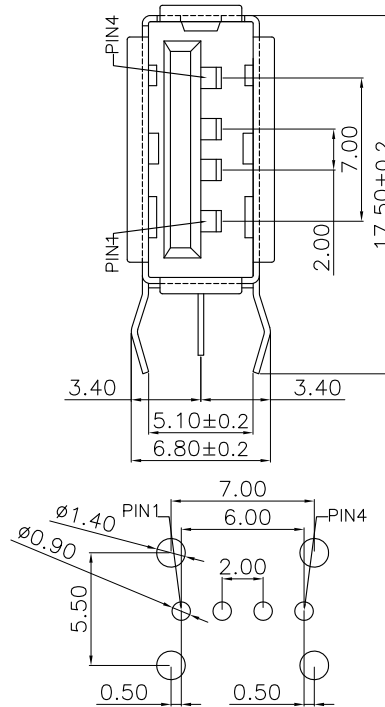


The product using material and processing must conform to the "WI-PZ-001"HSF technical standard control requirements

RoHS



PIN针序号	信号名称
PIN1	VBUS
PIN2	D-
PIN3	D+
PIN4	GND



RECOMMENDED P.C.B LAYOUT P.C.B THICKNESS=1.2mm(TOLERANCE=±0.05)

- NOTE:
- MATERIAL SPECIFICATION:
    - HOUSING: PBT
    - CONTACTS: C2680.
    - SHELL: SPCC
  - PLATING SPECIFICATION:
    - CONTACTS:
      - Ni UNDER PLATED OVER ALL.
      - Sn WELDING AREA PLATED OVER ALL.
      - Au PLATED ON THE FUNCTIONAL AREA OF CONTACT.
    - SHELL:
      - Cu WELDING AREA PLATED OVER ALL.
      - Ni PLATED ON THE FUNCTIONAL AREA OF CONTACT.
  - MECHANICAL PERFORMANCE:
    - INSERTION FORCE: 3.57kgf MAX
    - REMOVAL FORCE: 1.02kgf MIN
    - DURABILITY: 1500 CYCLES.
  - ELECTRICAL PERFORMANCE:
    - CURRENT RATING: 1.5A
    - VOLTAGE RATING: 30V MAX
    - CONTACT RESISTANCE: 30m Ohm MAX.
    - INSULATION RESISTANCE: 1000MΩ MIN
    - DIELECTRIC WITHSTANDING VOLTAGE: 500V AC MIN.
  - ENVIRONMENTAL PERFORMANCE:
    - OPERATING TEMPERATURE: -20°C~+85°C.

6.P/N: WLU2F9-04 1 X X 0155

PLATED:  COLOUR:  
 1-G/F A-BLACK  
 2-Au 3u" K-WHITE  
 5-Au 15u"  
 6.Au 30u"

REV.	REVISION RECORD	DATE	UNIT:mm	GENERAL TOLERANCES		SCALE:	NAME	DATE	PART.NO:	DWG.NO:	 WanLian Teconology Co., Ltd
A0	NEW RELEASE	21.01.13		LINEAR	ANGLES	1:1	APPROVED	DESIGNER	DESIGNER	DESIGNER	
			0.00±0.25	X°±3°		Wang_jr	Han_Gao	21.08.01	WLU2F9-041XX0155	ENDE05	
			0.00±0.10	X°X' ±2°		Zijun_Huang	Zijun_Huang	21.08.01	TITLE: USB2.0 90°4P/F DIP H=13.3mm		REV: A0 SHEET: 1/1