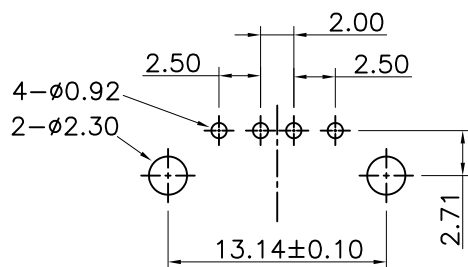
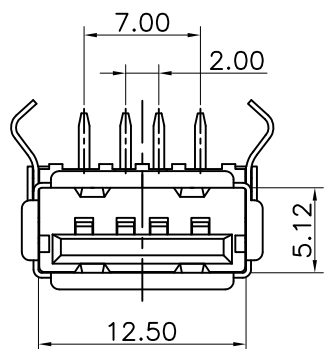
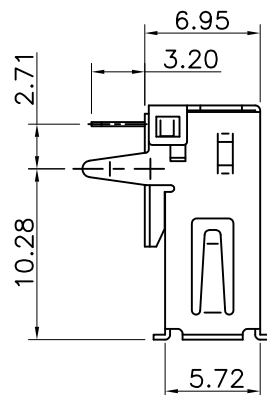
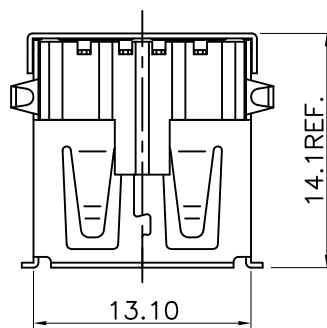
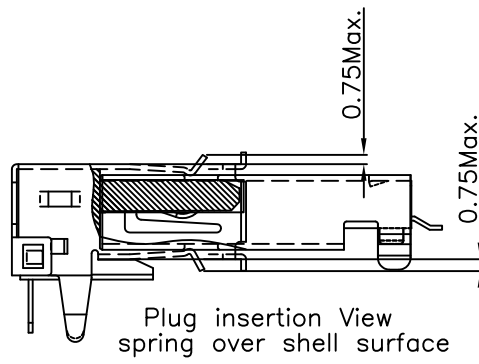
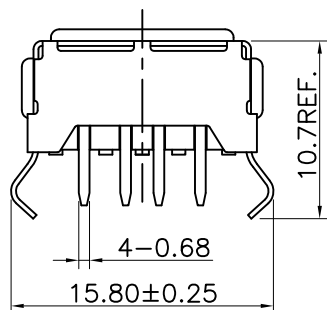


The product using material and processing must conform to the "WI-PZ-142" HSF technical standard control requirements




RECOMMENDED PCB LAYOUT

NOTE:

- 1.MATERIAL SPECIFICATION:
 - 1-1.HOUSING:PBT WHITE UL94V-0
 - 1-2.CONTACTS:COPPER ALLOY.
 - 1-3.SHELL: COPPER ALLOY.
- 2.PLATING SPECIFICATION:
 - 2-1.CONTACTS:
Ni 50u" MIN. UNDER PLATED OVER ALL.
Au PLATED ON THE FUNCTIONAL AREA OF CONTACT.
 - 2-2. SHELL:
Ni 30u" MIN. UNDER PLATED OVER ALL.
- 3.MECHANICAL PERFORMANCE:
 - 3-1.INSERTION FORCE: 3.57kgf MAX
 - 3-2.REMOVAL FORCE: 1.02kgf MIN
 - 3-3.DURABILITY: 1500 CYCLES.
- 4.ELECTRICAL PERFORMANCE:
 - 4-1.CURRENT RATING:1.5A
 - 4-2.VOLTAGE RATING:30V MAX
 - 4-3.Contact Resistance: 30m Ohm Max.
 - 4-4.INSULATION RESISTANCE: 1000MΩ MIN
 - 4-5.Dielectric Withstanding Voltage: 500V AC Min
- 5.ENVIRONMENTAL PERFORMANCE:
OPERATING TEMPERATURE: -20°C~+85°C.

WLU2F9-04 1 X X 02-017

PLATING: 1-G/F 2-AU 3U" 5-AU 15U" 6-AU 30U"
Colour: A:Black K:White

REV.	REVISION RECORD	DATE	GENERAL TOLERANCES		SCALE:	NAME	DATE	PART. NO:	DWG. NO:	 WanLian Teconology Co., Ltd
A0	NEW RELEASE	21.01.13	LINEAR	ANGLES	1:1	Wang_jr	21.01.13	WLU2F9-041XX02-017	ENDE05	
			0.0±0.35	X° REF±6°		DESIGNER	Ding_bo	21.01.13		REV: A0 SHEET: 1/1
			0.00±0.25	X° ±3°		DRAWN	Ou_jian	21.01.13	TITLE: USB2.0 AF 单层 90度插板 打K脚	
			UNIT: mm	0.000±0.10						
			SIZE: A4	X° X'±2°						