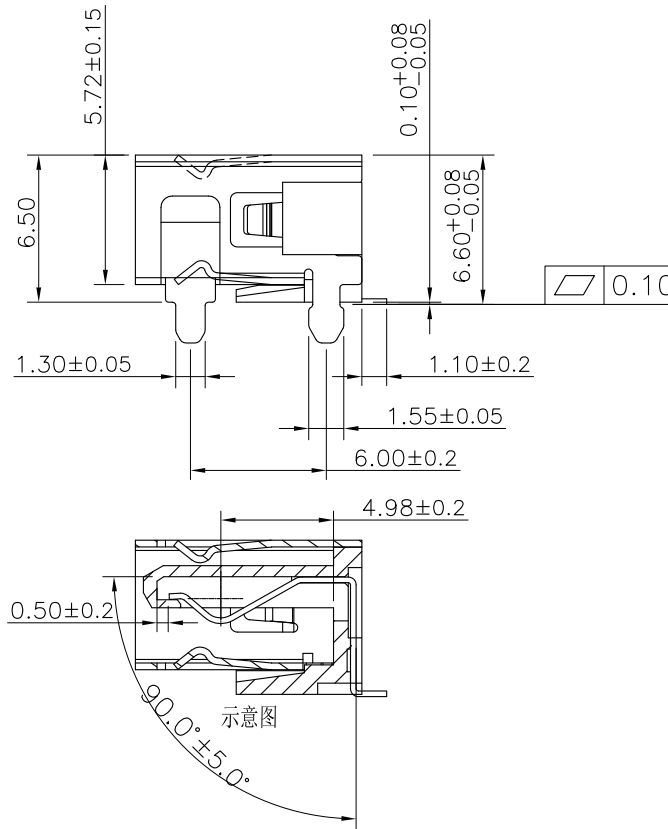
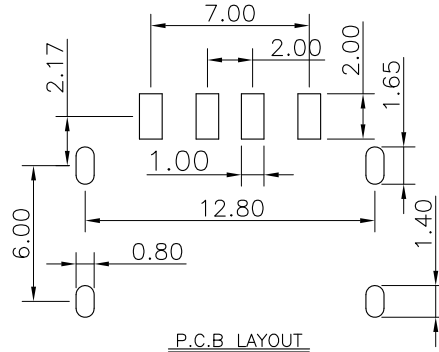
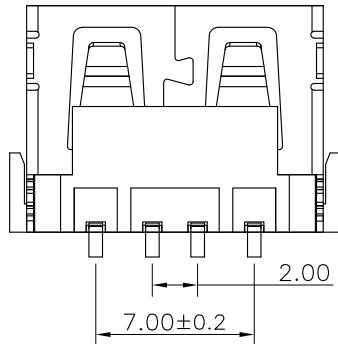
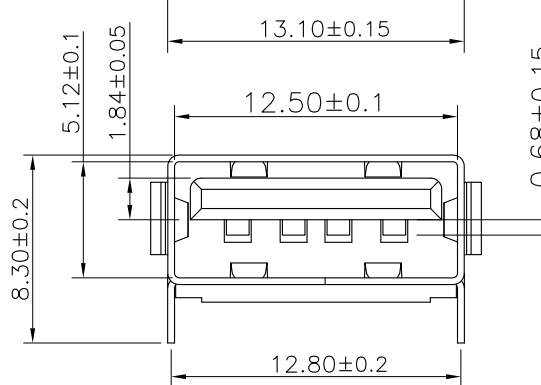
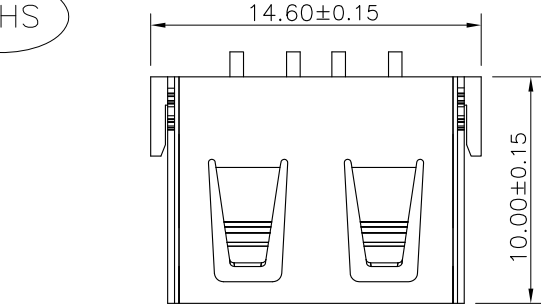


The product using material and processing must conform to the "WI-PZ-001" HSF technical standard control requirements

RoHS



- NOTE:
- MATERIAL SPECIFICATION:
    - 1-1.HOUSING:LCP
    - 1-2.CONTACTS:C2680.
    - 1-3.SHELL: SPCC
  - PLATING SPECIFICATION:
    - 2-1.CONTACTS: Ni UNDER PLATED OVER ALL. Sn ON SOLDER AREA Au PLATED ON THE FUNCTIONAL AREA OF CONTACT.
    - 2-2. SHELL: Ni UNDER PLATED OVER ALL.
  - MECHANICAL PERFORMANCE:
    - 3-1.INSERTION FORCE: 3.57kgf MAX
    - 3-2.REMOVAL FORCE: 1.02kgf MIN
    - 3-3.DURABILITY: 1500 CYCLES.
  - ELECTRICAL PERFORMANCE:
    - 4-1.CURRENT RATING:1.5A
    - 4-2.VOLTAGE RATING:30V MAX
    - 4-3.CONTACT RESISTANCE: 30m Ohm MAX.
    - 4-4.INSULATION RESISTANCE: 1000MΩ MIN
    - 4-5.DIELECTRIC WITHSTANDING VOLTAGE: 500V AC MIN.
  - ENVIRONMENTAL PERFORMANCE:
    - OPERATING TEMPERATURE: -20°C~+85°C.
  - P/N:

WLU2F9-04 2 X X 0145

PLATED: 1-G/F 2-Au 3u" 5-Au 15u" 6-Au 30u"  
 COLOUR: A-BLACK K-WHITE F-GREEN

REV.	REVISION RECORD	DATE	UNIT:mm	GENERAL TOLERANCES		SCALE:	NAME	DATE	PART.NO:	DWG.NO:	
AO	NEW RELEASE	21.01.13		LINEAR	ANGLES	1:1					
			0.00±0.25	X°±3°			Han_Gao	21.08.01	WLU2F9-042XX0145	ENDE05	
			0.00±0.10	X°X' ±2°			Zijun_Huang	21.08.01	USB2.0 90° 4P/F H=6.50mm		