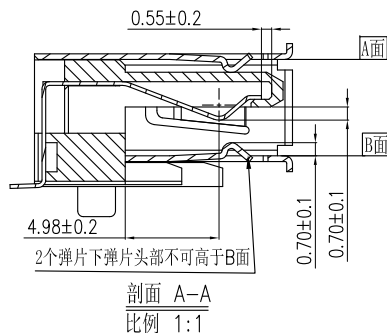
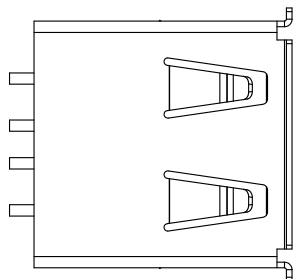


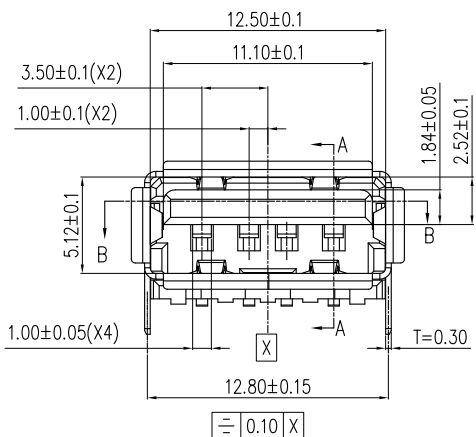
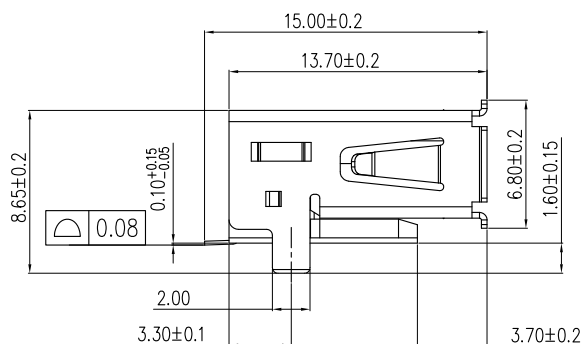
The product using material and processing must conform to the "WI-PZ-001" HSF technical standard control requirements

RoHS



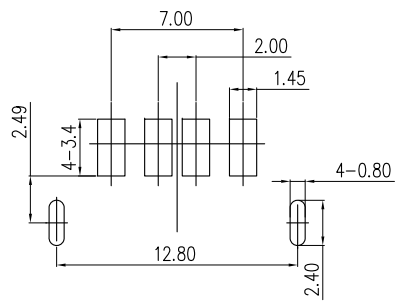
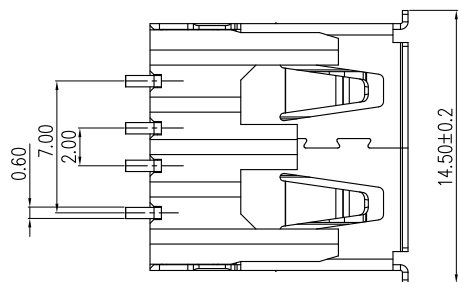
NOTE:

- 1.MATERIAL SPECIFICATION:
 - 1-1.HOUSING:LCP
 - 1-2.CONTACTS:C2680H.
 - 1-3.SHELL: SPCC
- 2.PLATING SPECIFICATION:
 - 2-1.CONTACTS: Ni UNDER PLATED OVER ALL. Sn WELDING AREA PLATED OVER ALL. Au PLATED ON THE FUNCTIONAL AREA OF CONTACT.
 - 2-2. SHELL: Cu UNDER PLATED OVER ALL. Ni WELDING AREA PLATED OVER ALL.
- 3.MECHANICAL PERFORMANCE:
 - 3-1.INSERTION FORCE: 3.57kgf MAX
 - 3-2.REMOVAL FORCE: 1.02kgf MIN
 - 3-3.DURABILITY: 1500 CYCLES.
- 4.ELECTRICAL PERFORMANCE:
 - 4-1.CURRENT RATING:1.5A
 - 4-2.VOLTAGE RATING:30V MAX
 - 4-3.CONTACT RESISTANCE: 30m Ohm MAX.
 - 4-4.INSULATION RESISTANCE: 1000MΩ MIN
 - 4-5.DIELECTRIC WITHSTANDING VOLTAGE: 500V AC MIN.
- 5.ENVIRONMENTAL PERFORMANCE: OPERATING TEMPERATURE: -20°C~+85°C.
- 6.P/N:



WLU2F9-04 2 X X 0153

PLATED: COLOUR:
 1.G/F A.BLACK
 2.Au 3u"
 5.Au 15u"
 6.Au 30u"



RECOMMENDED P.C.B LAYOUT P.C.B THICKNESS=1.2mm(TOLERANCE=±0.05)

REV.	REVISION RECORD	DATE	UNIT: mm	GENERAL TOLERANCES		SCALE:	NAME	DATE	PART.NO:	DWG.NO:	 WanLian Teconology Co., Ltd
A0	NEW RELEASE	21.01.13		LINEAR	ANGLES	1: 1	APPROVED	Wang_jr	21.08.01	WLU2F9-042XX0153	
			0.00±0.25	X°±3°	DESIGNER	Han_Gao	21.08.01	TITLE:			REV: A0 SHEET: 1/1
			0.000±0.10	X°X' ±2°	DRAWN	Zijun_Huang	21.08.01	USB2.0 90°4P/F SMT L=13.7mm			