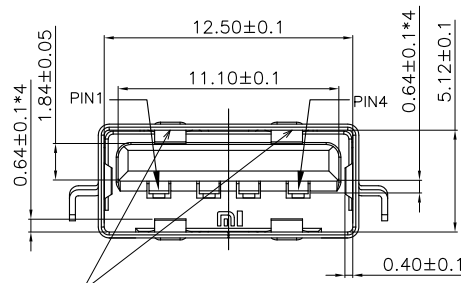
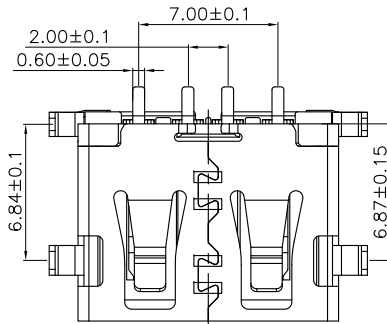
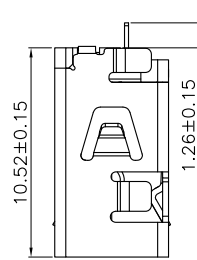
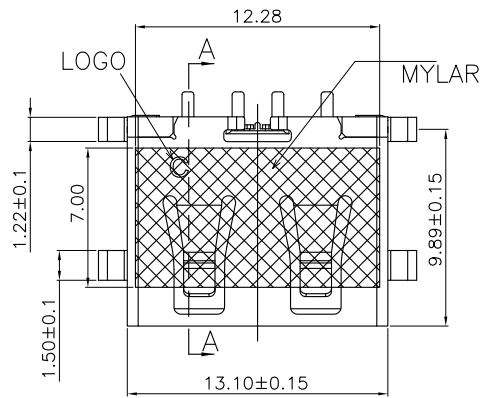
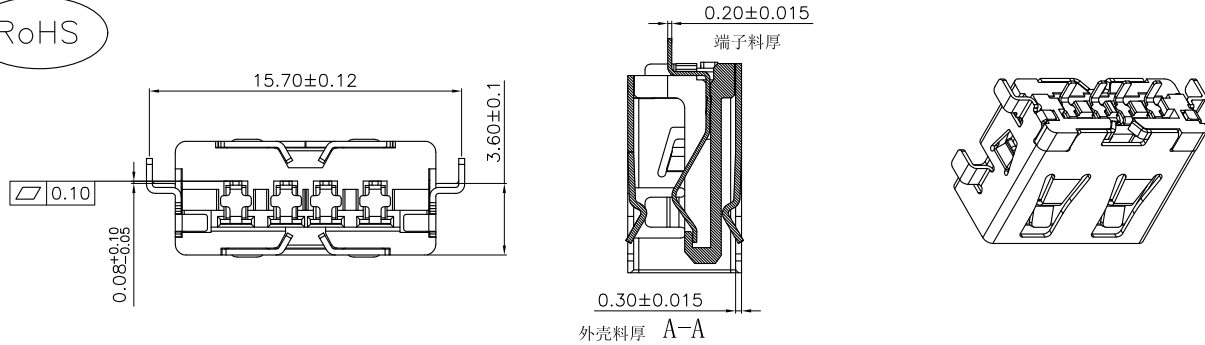
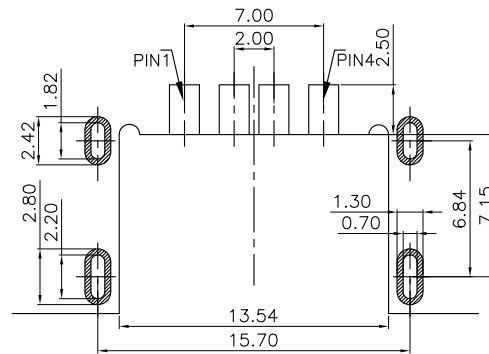


The product using material and processing must conform to the "WI-PZ-001" HSF technical standard control requirements

RoHS



四个弹片尖部不可超出窗口面(埋入铁壳内)



RECOMMENDED P.C.B LAYOUT P.C.B THICKNESS=1.2mm(TOLERANCE=±0.05)

NOTE:

1.MATERIAL SPECIFICATION:

- 1-1.HOUSING:LCP
- 1-2.CONTACTS:C2680H.
- 1-3.SHELL: SUS

2.PLATING SPECIFICATION:

- 2-1.CONTACTS:
Ni, UNDER PLATED OVER ALL.
Sn WELDING AREA PLATED OVER ALL.
Au PLATED ON THE FUNCTIONAL AREA OF CONTACT.

2-2. SHELL:

- Cu UNDER PLATED OVER ALL.
Ni WELDING AREA PLATED OVER ALL.

3.MECHANICAL PERFORMANCE:

- 3-1.INSERTION FORCE: 3.57kgf MAX
- 3-2.REMOVAL FORCE: 1.02kgf MIN
- 3-3.DURABILITY: 5000 CYCLES.

4.ELECTRICAL PERFORMANCE:

- 4-1.CURRENT RATING:1.5A
- 4-2.VOLTAGE RATING:30V MAX
- 4-3.CONTACT RESISTANCE: 30m Ohm MAX.
- 4-4.INSULATION RESISTANCE: 1000MΩ MIN
- 4-5.DIELECTRIC WITHSTANDING VOLTAGE:
500V AC MIN.

5.ENVIRONMENTAL PERFORMANCE:

- OPERATING TEMPERATURE: -20°C~+85°C.

6.P/N:

WLU2F9-04 8 X X 0149

PLATED: COLOUR:

1-G/F

2-Au 3u"

5-Au 15u"

6-Au 30u"

A-BLACK

J-GRAY

PIN针序号	信号名称
PIN1	VBUS
PIN2	D-
PIN3	D+
PIN4	GND

REV.	REVISION RECORD	DATE
A0	NEW RELEASE	21.01.13



GENERAL TOLERANCES

LINEAR	ANGLES
0.0±0.35	X°REF±6°
0.00±0.25	X°±3°
0.000±0.10	X°X'±2°

SCALE:

1:1

APPROVED

DESIGNER

DRAWN

NAME

DATE

Wang_jr

Han_Gao

Zijun_Huang

DATE

21.08.01

21.08.01

21.08.01

PART.NO:

WLU2F9-048XX0149

TITLE:

USB2.0 90° 4P/F H=3.60mm

DWG.NO:

ENDE05

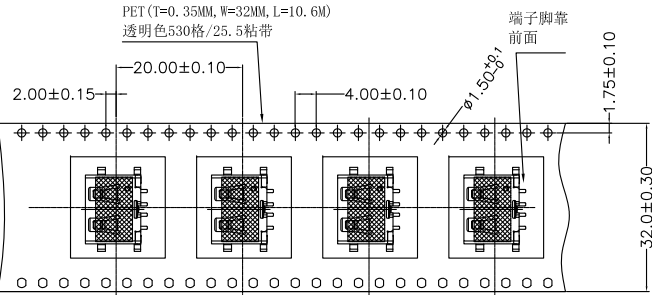


WanLian Teconology Co., Ltd

REV: A0 SHEET: 1/2

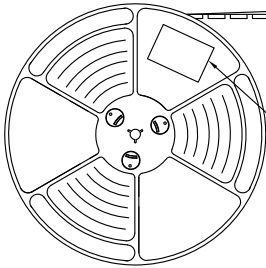
The product using material and processing must conform to the "WI-PZ-001"HSF technical standard control requirements

RoHS

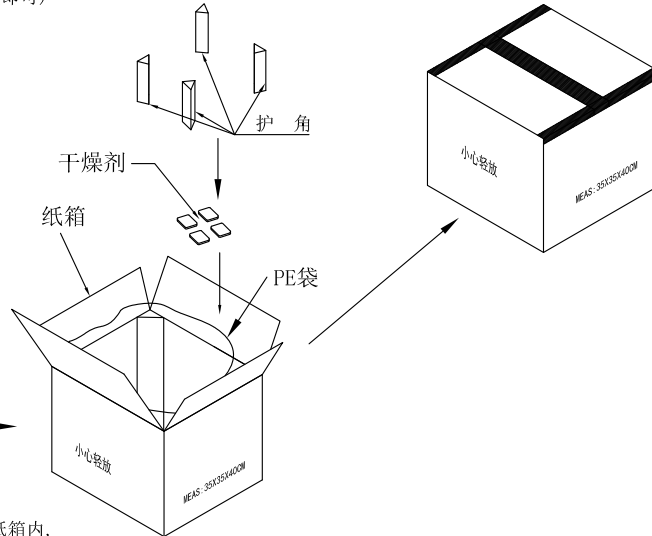
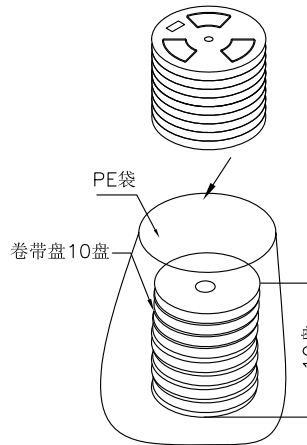


客户拉出方向

剥离力: 0.2-1.0N

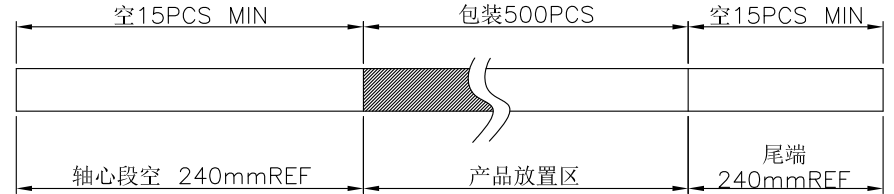


产品内标签
产品标签格式(所有包装格式一致, 只需更改数量即可)



将10盘产品放入纸箱内,

包装示意图:



备注:

1. 每卷包500PCS, 前后各空15PCS
2. 在卷装OK的每卷盘面的指定位置上贴上物料和RoHS标签装入纸箱内; 每箱装10盘
3. 纸箱用封箱带将底部封好, 胶带要求工字型, 不可遮住标签; 套入防水(PE)袋将卷盘装入, (PE)袋内放入干燥剂; 将袋口收好,
4. 收好纸箱口用封箱带将其封好, 胶带要求工字型, 不可遮住标签位置 贴上外箱标签;
5. 如果客户对包装标签另有要求, 请按客户要求作业; 有未满之零数箱 需用缓冲材料填充;
6. 上载带剥离力:0.2-1.0NgMin;

粘带	106M	25.5MM*200M/卷
纸箱	1套	1个 纸箱35X35X40CM
卷盘		10盘 卷盘ø330mm
卷带		10卷 PET (T=0.35MM, W=32MM, L=10.6M) 透明530格/25.5粘带
连接器	WLU2F9-048XX0149	5000PCS
连接器		
连接器		
连接器		
名称	料号	用量
		规格

REV.	REVISION RECORD	DATE		GENERAL TOLERANCES		SCALE: 1:1	NAME	DATE	PART.NO:	DWG.NO:	
AO	NEW RELEASE	21.01.13		LINEAR	ANGLES	APPROVED	Wang_jr	21.08.01	WLU2F9-048XX0149	ENDE05	
			UNIT:mm	0.00±0.25	X°±3'	DESIGNER	Han_Gao	21.08.01	TITLE:		
			SIZE: A4	0.000±0.10	X°X' ±2"	DRAWN	Zijun_Huang	21.08.01	PACKAGE DRAWING		

WanLian Teconology Co., Ltd
REV: A0 SHEET: 2/2