

The product using material and processing must conform to the "WL-PZ-001" HSF technical standard control requirements



- NOTE:
- MATERIAL SPECIFICATION:
 - HOUSING: PBT BLACK UL94V-0
 - CONTACTS: C2680.
 - SHELL: SPCC/COPPER ALLOY.
 - PLATING SPECIFICATION:
 - CONTACTS:
 - Ni 50u" MIN. UNDER PLATED OVER ALL.
 - Au PLATED ON THE FUNCTIONAL AREA OF CONTACT.
 - SHELL:
 - Ni 30u" MIN. UNDER PLATED OVER ALL.
 - MECHANICAL PERFORMANCE:
 - INSERTION FORCE: 3.57kgf MAX
 - REMOVAL FORCE: 1.02kgf MIN
 - DURABILITY: 1500 CYCLES.
 - ELECTRICAL PERFORMANCE:
 - CURRENT RATING: 1.5A
 - VOLTAGE RATING: 30V MAX
 - CONTACT RESISTANCE: 30m Ohm MAX.
 - INSULATION RESISTANCE: 1000MΩ MIN
 - DIELECTRIC WITHSTANDING VOLTAGE: 500V AC MIN.
 - ENVIRONMENTAL PERFORMANCE:
 - OPERATING TEMPERATURE: -20~+85°C.
 - PACKAGE SPEC: TRAY

PART NO.:
WLU2F9-04 8 X X X 071

PLATING:

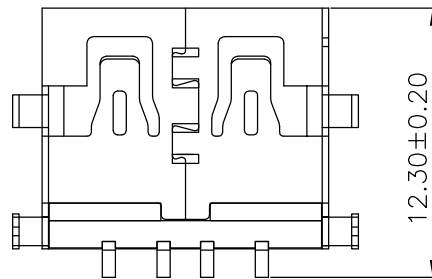
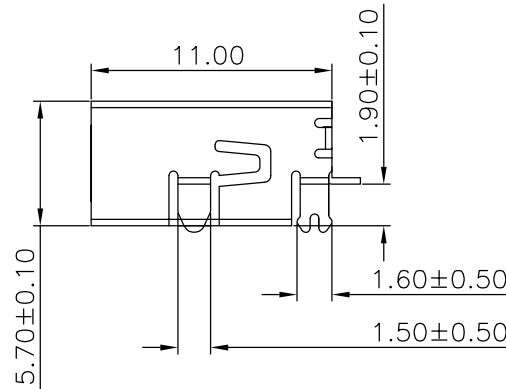
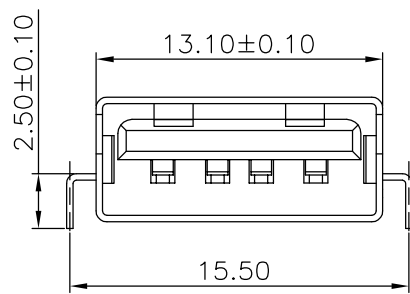
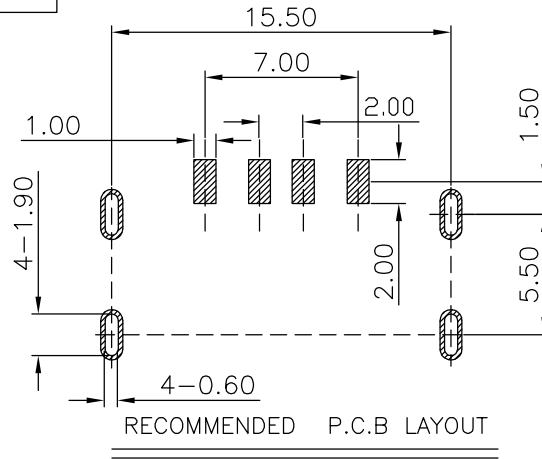
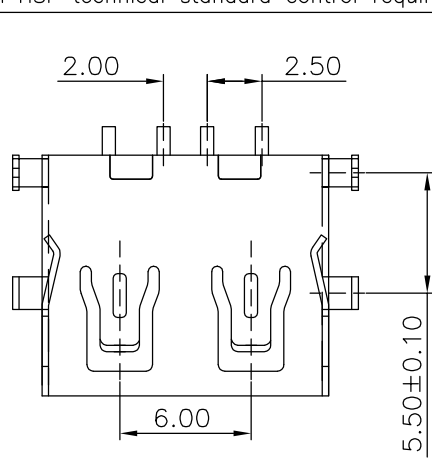
- 1-G/F
- 2-Au 3u"
- 5-Au 15u"
- 6-Au 30u"

 SHELL:

- A-SPCC
- B-COPPER ALLOY

 COLOUR:

- A-BLACK
- K-WHITE



REV.	REVISION RECORD	DATE	UNIT:mm	GENERAL TOLERANCES		SCALE: 1:1	NAME	DATE	PART.NO:	DWG.NO:	
A0	NEW RELEASE	21.01.13		SIZE: A4	LINEAR 0.0±0.35	ANGLES X°REF±6°	APPROVED	Wang_jr	21.01.13	WLU2F9-048XXX071	
				0.00±0.25	X°±3°	DESIGNER	Ding_bo	21.01.13	TITLE: USB2.0 A TYPE FEMAL SMT CH1.9		REV: A0
				0.000±0.10	X°X' ±2°	DRAWN	Ou_jian	21.01.13			SHEET: 1/1