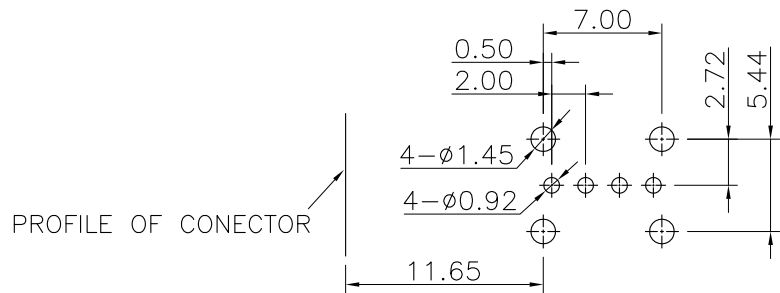
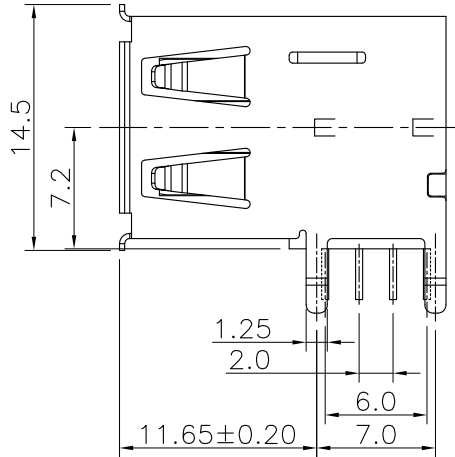
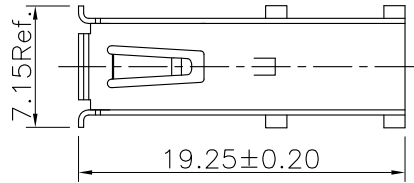
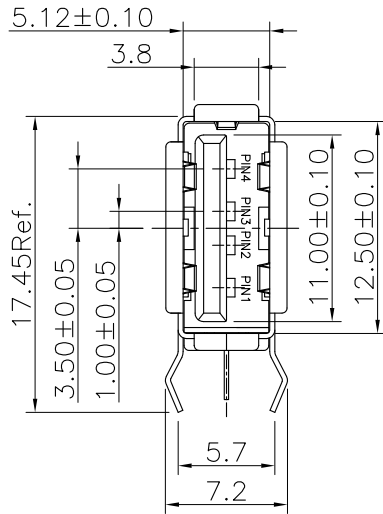


The product using material and processing must conform to the "WI-PZ-001" HSF technical standard control requirements

RoHS



RECOMMENDED PCB LAYOUT(TOP VIEW)
GENERAL TOLERANCES:±0.05

NOTE:

- 1.MATERIAL SPECIFICATION:
 - 1-1.HOUSING:PBT BLACK UL94V-0
 - 1-2.CONTACTS:COPPER ALLOY.
 - 1-3.SHELL:SPCC
- 2.PLATING SPECIFICATION:
 - 2-1.CONTACTS:
Ni 50u" MIN. UNDER PLATED OVER ALL.
Au PLATED ON THE FUNCTIONAL AREA OF CONTACT.
 - 2-2. SHELL:
Ni 30u" MIN. UNDER PLATED OVER ALL.
- 3.MECHANICAL PERFORMANCE:
 - 3-1.INSERTION FORCE: 3.57kgf MAX
 - 3-2.REMOVAL FORCE: 1.02kgf MIN
 - 3-3.DURABILITY: 1500 CYCLES.
- 4.ELECTRICAL PERFORMANCE:
 - 4-1.CURRENT RATING:1.5A
 - 4-2.VOLTAGE RATING:30V MAX
 - 4-3.Contact Resistance: 30m Ohm Max.
 - 4-4.INSULATION RESISTANCE: 1000MΩ MIN
 - 4-5.Dielectric Withstanding Voltage: 500V AC Min
- 5.ENVIRONMENTAL PERFORMANCE:
OPERATING TEMPERATURE: -20°C~+85°C.
- 6.PACKAGE SPEC:TRAY

WLU2F9-04 9 X X 0014

PLATING: 1-G/F COLOUR: A:BLACK
 2-AU 3U" K:WHITE
 5-AU 15U"
 6-AU 30U"

5	后塞	黑色PBT	/
4	胶芯	黑色PBT	/
3	后壳	后壳镀镍盐雾12H	/
2	外壳	外壳镀镍盐雾12H	/
1	端子	镀半金锡G/F	/
项次 NO.	品名 NAME	表面处理 PLATING	备注 REMARK

REV.	REVISION RECORD	DATE		GENERAL TOLERANCES		SCALE: 1:1	NAME	DATE	PART. NO: WLU2F9-049XX0014	DWG. NO: ENDE05	
A0	NEW RELEASE	21.01.13		LINEAR	ANGLES	APPROVED	Wang_jr	21.01.13			
			0.0±0.35	X° REF±6°	DESIGNER	Ding_bo	21.01.13	TITLE: USB2.0 AF 单层 90度 侧插	REV: A0	SHEET: 1/1	
			UNIT: mm	0.00±0.25	X° ±3°	DRAWN	Ou_jian	21.01.13			
			SIZE: A4	0.000±0.10	X° X'±2°						