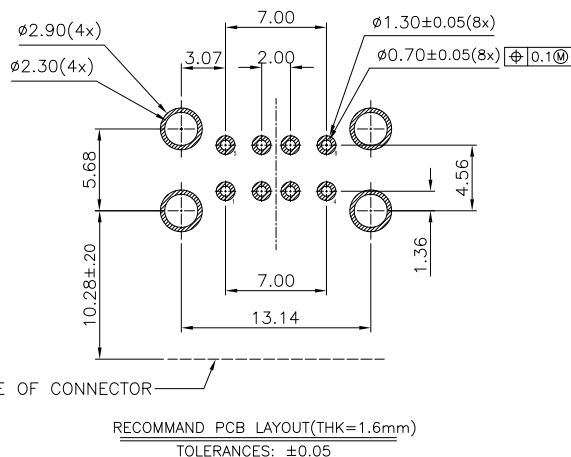
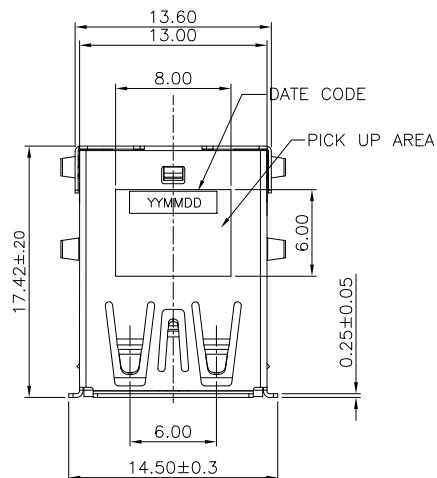


The product using material and processing must conform to the "WI-PZ-142" HSF technical standard control requirements



NOTE:

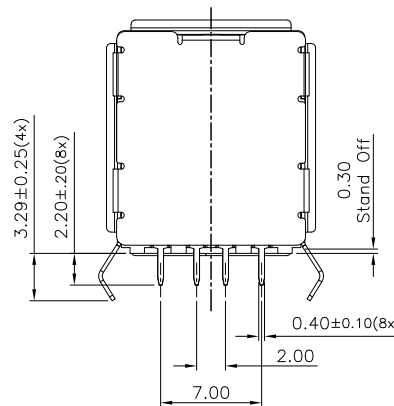
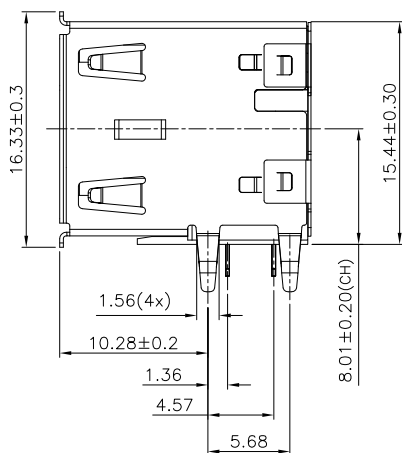
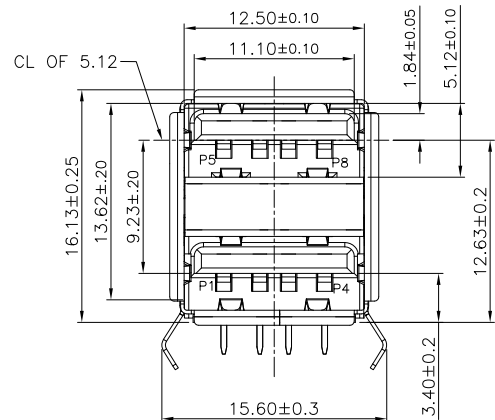
1. MATERIAL SPECIFICATION:
 - 1-1. HOUSING: PA9T BLACK UL94V-0
 - 1-2. CONTACTS: COPPER ALLOY.
 - 1-3. SHELL: STAINLESS STEEL.
2. PLATING SPECIFICATION:
 - 2-1. CONTACTS: Ni 50u" MIN. UNDER PLATED OVER ALL. Au PLATED ON THE FUNCTIONAL AREA OF CONTACT.
 - 2-2. SHELL: Ni 30u" MIN. UNDER PLATED OVER ALL.
3. MECHANICAL PERFORMANCE:
 - 3-1. INSERTION FORCE: 3.57kgf MAX
 - 3-2. REMOVAL FORCE: 1.02kgf MIN
 - 3-3. DURABILITY: 1500 CYCLES.
4. ELECTRICAL PERFORMANCE:
 - 4-1. CURRENT RATING: 1.5A
 - 4-2. VOLTAGE RATING: 30V MAX
 - 4-3. CONTACT RESISTANCE: 30m Ohm Max.
 - 4-4. INSULATION RESISTANCE: 1000M Ω MIN
 - 4-5. DIELECTRIC WITHSTANDING VOLTAGE: 500V AC Min
5. ENVIRONMENTAL PERFORMANCE:


OPERATING TEMPERATURE: -20°C ~ +85°C.
6. DATE CODE INFORMATION:

YMMDD (Y: YEAR M: MONTH D: DATE)

WLU2F9-08 1 X X 01-007

PLATING:
 1-G/F
 2-AU 3U"
 5-AU 15U"
 6-AU 30U"
 Colour:
 A: Black
 K: White



REV.	REVISION RECORD	DATE	GENERAL TOLERANCES		SCALE:	NAME	DATE	PART. NO:	DWG. NO:	 WanLian Teconology Co., Ltd
A0	NEW RELEASE	21.01.13	LINEAR	ANGLES	1:1	Wang_jr	21.01.13	WLU2F9-081XX01-007	ENDE05	
			0.0±0.35	X° REF±6°	APPROVED	Ding_bo	21.01.13	TITLE:		
			0.00±0.25	X° ±3°	DESIGNER	Ou_jian	21.01.13	USB2.0 AF 双层90度插板		
			0.000±0.10	X° X'±2°	DRAWN					
			UNIT: mm						REV: A0	SHEET: 1/1
			SIZE: A4							