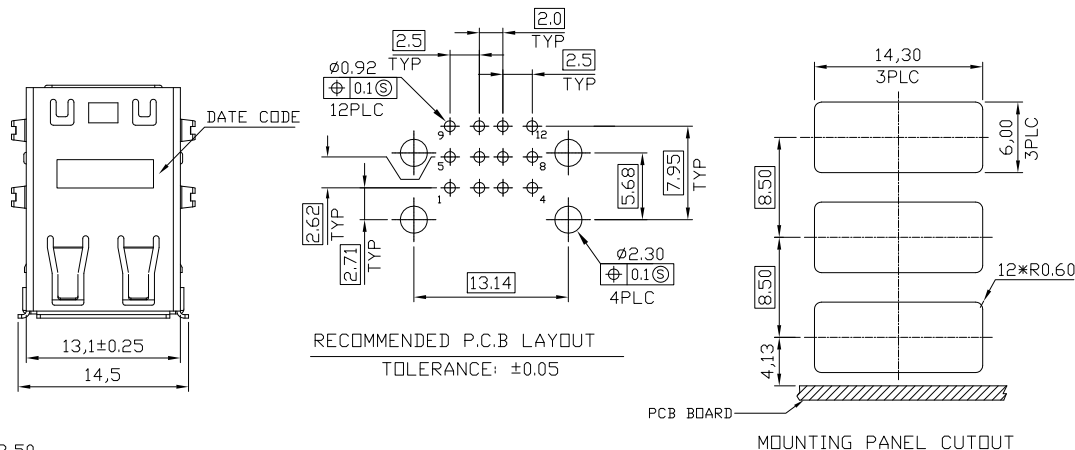
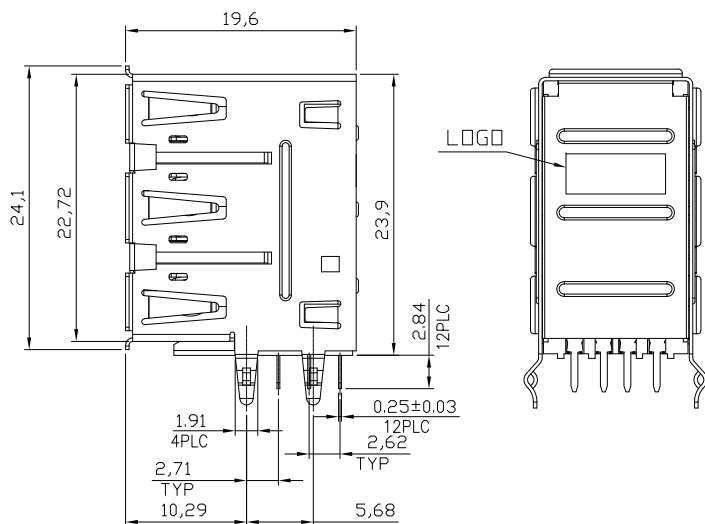
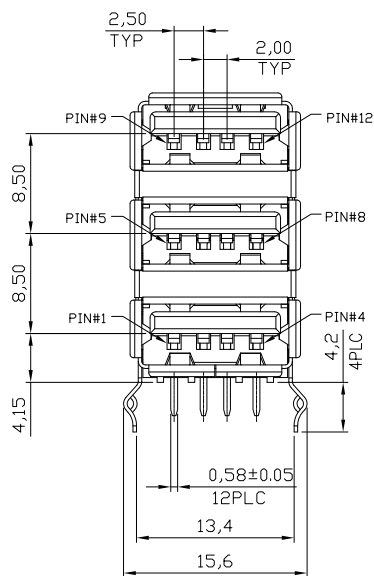


The product using material and processing must conform to the "WL-PZ-001" HSF technical standard control requirements



NOTES:

1. MATERIAL:
  - 1.1 HOUSING: PA6T+30% G/F, COLOR: BLACK, UL94V-0;
  - 1.2 CONTACTS: PHOSPHOR BRONZE
  - 1.3 SHELL : SUS201
  - 1.4 ISOLATED: SK7
  - 1.5 REAR SHELL : SPCC
2. FINISH:
  - 2.1 CONTACT: GOLD FLASH PLATING ON CONTACT AREA. 100u" MIN. BRIGHT-TIN PLATING ON SOLDER TAIL AREA, 50u" MIN. NICKEL UNDERPLATING OVERALL,
  - 2.2 SHELL: 50u" MIN. NICKEL UNDERPLATING.
  - 2.3 ISOLATED: SHELL: 100u" MIN. NICKEL PLATED
  - 2.4 REAR SHELL: 100u" MIN. NICKEL PLATED.
3. ELECTRICAL CHARACTERISTICS:
  - CURRENT RATING: 0.5Amper Maximum
  - VOLTAGE: 30V AC.
  - CONTACT RETENTION FORCE: 0.7KG F MINIMUM.
  - CONTACT RESISTANCE: 30 MILLIOHMS MAXIMUM.
  - INSULATION RESISTANCE: 1000MEG OHMS MINIMUM.
  - DIELECTRIC WITHSTANDING VOLTAGE: 750V AC AT SEE LEVEL.
  - TEMPERATURE: -55°C~85°C .



WLU2F9-12 1 X X 01-017

PLATING: 1-G/F  
2-Au 3u"  
5-Au 15u"  
6-Au 30u"

Colour:  
A-Black  
K-White

REV.	REVISION RECORD	DATE	GENERAL TOLERANCES		SCALE:	NAME	DATE	PART.NO:	DWG.NO:
A1	NEW RELEASE	22.09.28	LINEAR	ANGLES	1:1	Wang_jr	22.09.28	WLU2F9-121XX01-017	ENDE05
			0.0±0.35	X°REF±6'	APPROVED	Han_Gao	22.09.28	TITLE: USB2.0 AF 三层 DIP 插板	REV: A1 SHEET: 1/1
			0.00±0.25	X°±3'	DESIGNER	Zijun_Huang	22.09.28		
			0.000±0.10	X°X'±2"	DRAWN				

