

The product using material and processing must conform to the "WI-PZ-001"HSF technical standard control requirements

RoHS

NOTE:

1.MATERIAL SPECIFICATION:

- 1-1.HOUSING-BODY:PA9T,COLOUR:BULE/BLACK,UL94-V0
- 1-2.HOUSING-COVER:PA9T,COLOUR:BULE/BLACK,UL94-V0
- 1-3.HOUDIGN-CAP:LCP,COLOUR:BLACK UL94 V-0
- 1-4.CONTACT:2.0 CONTACTS C5191
3.0 CONTACTS C2680
- 1-4.SHELL:C2680

2.PLATING SPECIFICATION:

- 2-1.CONTACTS:
AU PLATED ON CONTACT AREA
TIN 100U"MIN PLATED ON SOLDER AREA(MATTE SN)
NICKEL 50U"MIN PLATED UNDERPLATING OVER ALL.
- 2-2.SHELL:NICKEL 30U"MIN UNDERPLATING OVER ALL.

3.MECHANICAL PERFORMANCE:

- 3-1.MATING FORCE: 3.5kgf MAX.
- 3-2.UNMATING FORCE: 1.0kgf MIN.
- 3-3.DURABILITY: 3000 CYCLES.

4.ELECTRICAL PERFORMANCE:

- 4-1.CONTACT CURRENT RATING:
1.80 AMPERES FOR VBUS AND GND CONTACTS
0.25 AMPERES FOR ALL OTHER CONTACTS
- 4-2.VOLTAGE RATING:30 Vac(RMS).
- 4-3.CONTACT RESISTANCE:
30m Ohm Max FOR VBUS AND GND CONTACTS.
50m Ohm MAX FOR ALL OTHER CONTACTS.
- 4-4.INSULATION RESISTANCE: 100MΩ MIN
- 4-5.WITHSTANDING VOLTAGE: AC 100V/ MINUTE

5.TEMPERATURE RANGE:

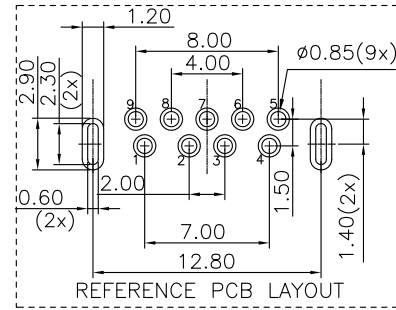
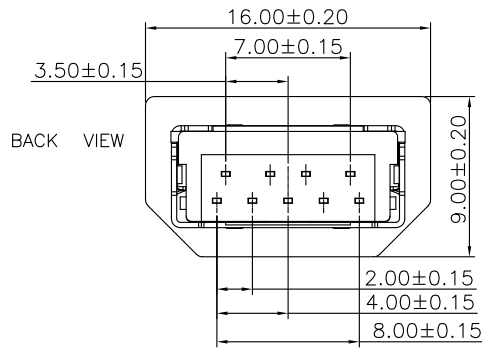
OPERATING TEMPERATURE: -40°C~+85°C.

6.PACKAGE SPEC:TAPE&REEL

WLU3F0-09 1 X X 0 174

PLATED:
1-G/F
2-Au 3u"
5-Au 15u"
6-Au 30u"
COLOUR:
A-BLACK
G-BLUE

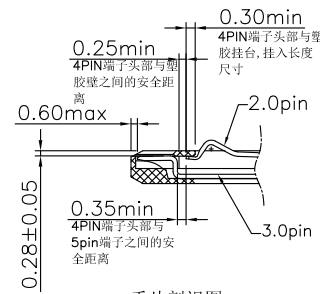
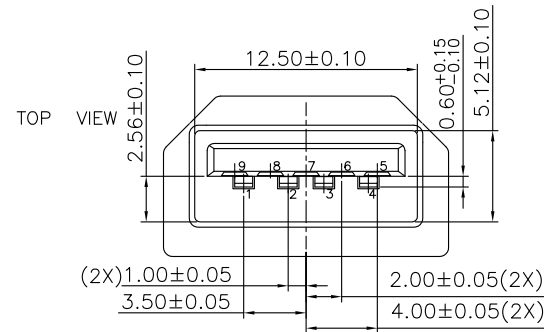
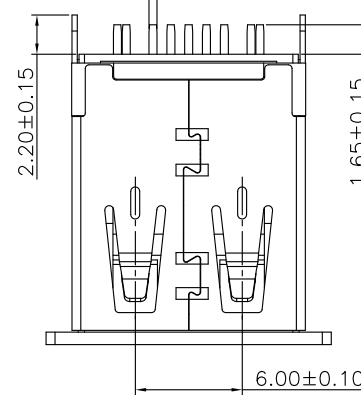
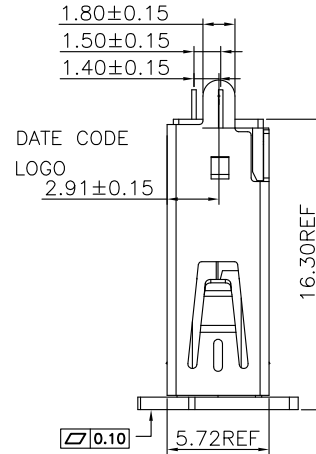
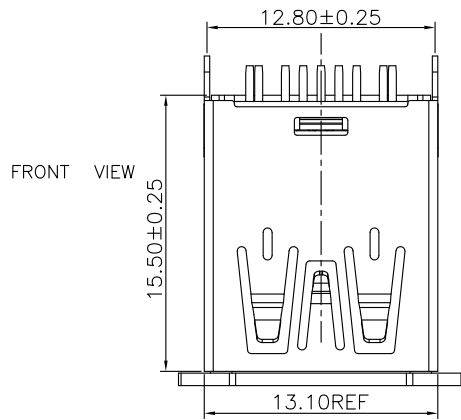
Pin Number	Signal Name
1	VBUS
2	D-
3	D+
4	GND
5	SSRX-
6	SSRX+
7	GND
8	SSTX-
9	SSTX+
Shell	Shield



SIDE VIEW

FRONT VIEW

0.45±0.05



REV.	REVISION RECORD	DATE	UNIT:mm	GENERAL TOLERANCES		SCALE:	NAME	DATE	PART.NO:	DWG.NO:	TITLE:	REV: A0	SHEET: 1/1
A0	NEW RELEASE	21.01.13		LINEAR	ANGLES	1:1							
				0.0±0.35	X°REF±6°	APPROVED	Wang_jr	21.01.13	WLU3F0-091XX0174	ENDE05	USB3.0 AF 180° DIP L=18.50mm		
				0.00±0.25	X°±3°	DESIGNER	Han_Gao	21.01.13					
				0.000±0.10	X°X'±2°	DRAWN	Zijun_Huang	21.01.13					

