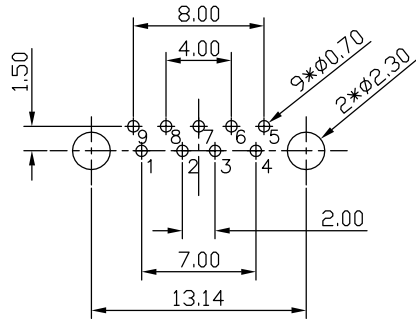
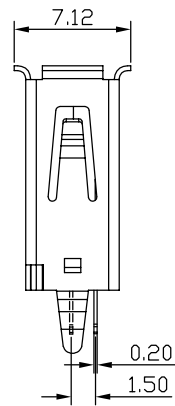
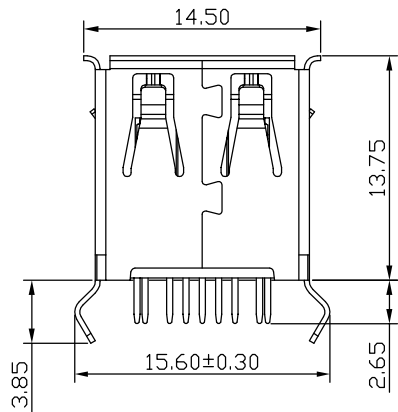
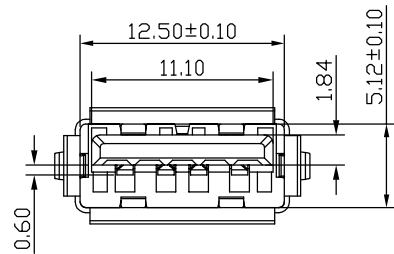
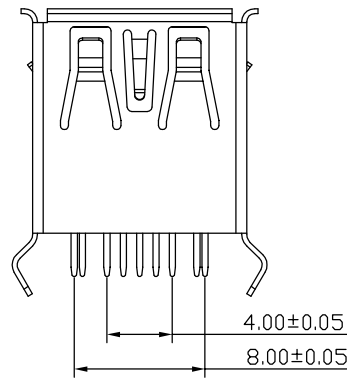


The product using material and processing must conform to the "WL-PZ-001"HSF technical standard control requirements

RoHS



P.C.B LAYOUT  
TOL:±0.05



Pin NUMBER	SIGNAL NAME	Pin NUMBER	SIGNAL NAME
1	VBUS	5	StdA_SSRX-
2	D-	6	StdA_SSRX+
3	D+	7	GND_DRAIN
4	GND	8	StdA_SSTX-
		9	StdA_SSTX+
SHELL	SHIELD	SHELL	SHIELD

NOTE:

- MATERIAL SPECIFICATION:
  - HOUSING:LCP BLUE UL94V-0
  - CONTACTS:C2680.
  - SHELL:STAINLESS STEEL.
- PLATING SPECIFICATION:
  - CONTACTS:  
Ni 50u" MIN. UNDER PLATED OVER ALL.  
Sn 80u"MIN ON SOLDER AREA  
Au PLATED ON THE CONTACTS AREA.
  - SHELL:  
Ni 80u" MIN. UNDER PLATED OVER ALL.
- MECHANICAL PERFORMANCE:
  - INSERTION FORCE: 3.57kgf MAX
  - REMOVAL FORCE: 1.02kgf MIN
  - DURABILITY: 5000 CYCLES.
- ELECTRICAL PERFORMANCE:
  - CURRENT RATING:1.5A
  - VOLTAGE RATING:30V MAX
  - CONTACT RESISTANCE: 30mΩ MAX.
  - INSULATION RESISTANCE: 1000MΩ MIN
  - DIELECTRIC WITHSTANDING VOLTAGE: 100V AC MIN.
- ENVIRONMENTAL PERFORMANCE:  
OPERATING TEMPERATURE: -40°C~+85°C.
- PACKAGE SPEC: TRAY
- P/N ORDER:

WLU3F0-09 1 X X X 087

PLATING: ————  
 1-G/F  
 2-Au 3u"  
 5-Au 15u"  
 6-Au 30u"  
 SHELL:  
 1-SPCC  
 2-COPPER ALLOY  
 3-SUS  
 HOUSING COLOUR:  
 A-BLACK  
 G-BLUE

REV.	REVISION RECORD	DATE	GENERAL TOLERANCES		SCALE:	NAME	DATE	PART.NO:	DWG.NO:	 WanLian Teconology Co., Ltd
A0	NEW RELEASE	21.01.13	LINEAR	ANGLES	1:1	Wang_jr	21.01.13	WLU3F0-091XXX087	ENDE05	
			0.0±0.35	X°REF±6°	APPROVED	Han_Gao	21.01.13	TITLE: USB3.0 A TYPE 9P/F DIP L=13.7mm	REV: A0	SHEET: 1/1
			0.00±0.25	X'±3°	DESIGNER	Zijun_Huang	21.01.13			
			UNIT:mm	0.00±0.10	X°X'±2°	DRAWN				