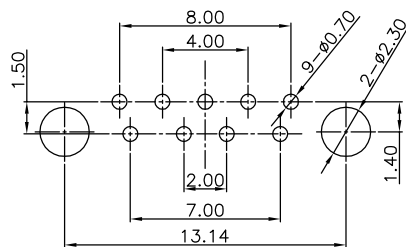
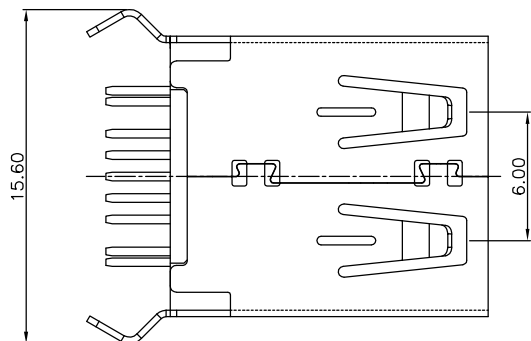
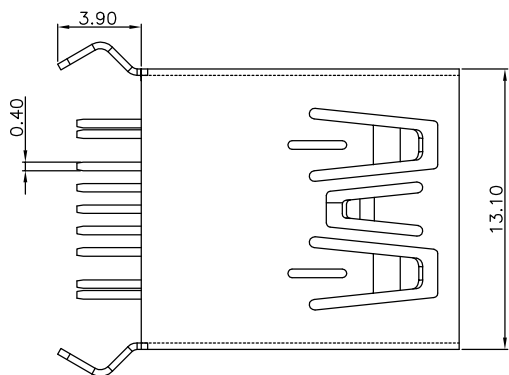
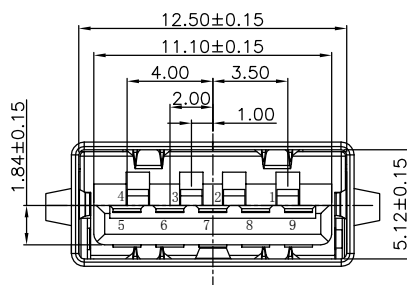
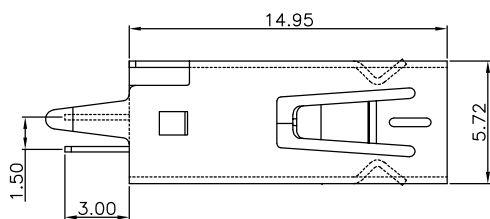
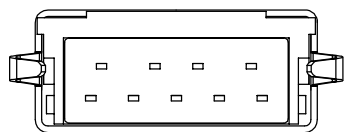


The product using material and processing must conform to the "WL-PZ-001"HSF technical standard control requirements

RoHS



PCB LAYOUT



NOTE:

1.MATERIAL SPECIFICATION:

- 1-1.HOUSING:PBT UL94V-0 BLUE
- 1-2.CONTACTS:COPPER ALLOY( T=0.25mm)
- 1-3.SHELL: SPCC

2.PLATING SPECIFICATION:

- 2-1.CONTACTS:  
AU PLATED ON CONTACT AREA  
TIN PLATED ON SOLDER AREA  
NICKEL UNDERPLATING OVER ALL
- 2-2. SHELL:  
Ni UNDER PLATED OVER ALL.

3.MECHANICAL PERFORMANCE:

- 3-1.INSERTION FORCE: 3.57kgf MAX
- 3-2.REMOVAL FORCE: 1.02kgf MIN

4.ELECTRICAL PERFORMANCE:

- 4-1.CURRENT RATING:1.5A
- 4-2.VOLTAGE RATING:30V MAX
- 4-3.CONTACT RESISTANCE: 30m Ohm MAX.
- 4-4.INSULATION RESISTANCE: 1000MΩ MIN
- 4-5.DIELECTRIC WITHSTANDING VOLTAGE: 100V AC MIN.

5.ENVIRONMENTAL PERFORMANCE:

- OPERATING TEMPERATURE: -40°C~+85°C.
- PACKAGE SPEC: TRAY

PRAT.NO.:

WLU3F0-091 X X X 196

PLATING:

- 1-G/F
- 2-Au 3u"
- 5-Au 15u"
- 6-Au 30u"

SHELL:

- 1-SPCC
  - 2-COPPER ALLOY
- HOUSING COLOUR:  
A-BLACK  
G-BLUE

PIN	PIN 1	PIN 2	PIN 3	PIN 4	PIN 5	PIN 6	PIN 7	PIN 8	PIN 9	SHELL
SIGNAL NAME	VBUS	D-	D+	GND	StdA_SSRX-	StdA_SSRX+	GND_DRAIN	StdA_SSTX-	StdA_SSTX+	SHIELD

REV.	REVISION RECORD	DATE	GENERAL TOLERANCES		SCALE:	NAME	DATE	PART.NO.:	DWG.NO.:	 WanLian Teconology Co., Ltd
A0	NEW RELEASE	21.01.13	LINEAR	ANGLES	1:1	Wang_jr	21.01.13	WLU3F0-091XXX196	ENDE05	
			0.0±0.35	X°REF±6'		DESIGNER	Han_Gao	21.01.13		
			UNIT:mm	0.00±0.25	X'±3'		DRAWN	Zijun_Huang	21.01.13	
			SIZE: A4	0.000±0.10	X'X' ±2'					REV: A0 SHEET: 1/1