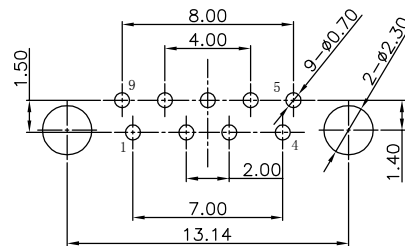
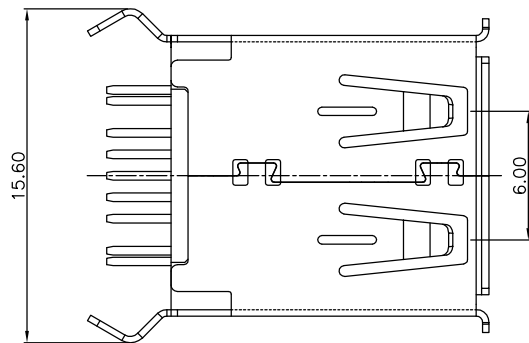
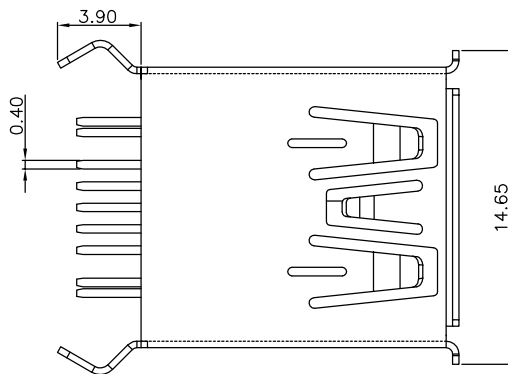
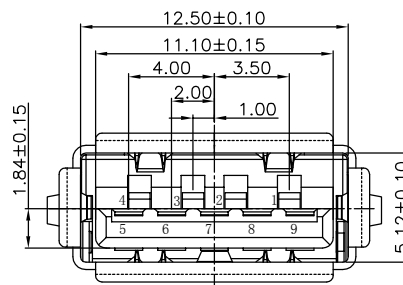
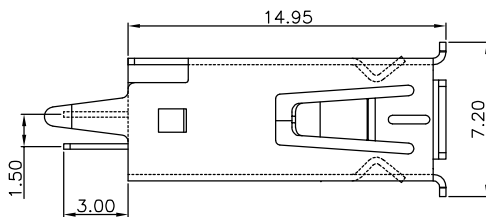
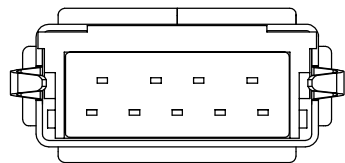


The product using material and processing must conform to the "WL-PZ-001"HSF technical standard control requirements

RoHS



PCB LAYOUT



NOTE:

- 1.MATERIAL SPECIFICATION:
  - 1-1.HOUSING:PBT UL94V-0 BLUE
  - 1-2.CONTACTS:COPPER ALLOY( T=0.25mm)
  - 1-3.SHELL: SPCC
- 2.PLATING SPECIFICATION:
  - 2-1.CONTACTS:
    - AU PLATED ON CONTACT AREA
    - TIN PLATED ON SOLDER AREA
    - NICKEL UNDERPLATING OVER ALL
  - 2-2. SHELL:
    - Ni UNDER PLATED OVER ALL.
- 3.MECHANICAL PERFORMANCE:
  - 3-1.INSERTION FORCE: 3.57kgf MAX
  - 3-2.REMOVAL FORCE: 1.02kgf MIN
- 4.ELECTRICAL PERFORMANCE:
  - 4-1.CURRENT RATING:1.5A
  - 4-2.VOLTAGE RATING:30V MAX
  - 4-3.CONTACT RESISTANCE: 30m Ohm MAX.
  - 4-4.INSULATION RESISTANCE: 1000MΩ MIN
  - 4-5.DIELECTRIC WITHSTANDING VOLTAGE: 100V AC MIN.
- 5.ENVIRONMENTAL PERFORMANCE:
  - OPERATING TEMPERATURE: -40°C~+85°C.
  - PACKAGE SPEC: TRAY

PRAT.NO.:

WLU3F0-091 X X X 197

- |           |                 |
|-----------|-----------------|
| PLATING:  | SHELL:          |
| 1-G/F     | 1-SPCC          |
| 2-Au 3u"  | 2-COPPER ALLOY  |
| 5-Au 15u" | 3-SUS           |
| 6-Au 30u" | HOUSING COLOUR: |
|           | A-BLACK         |
|           | G-BLUE          |

PIN	PIN 1	PIN 2	PIN 3	PIN 4	PIN 5	PIN 6	PIN 7	PIN 8	PIN 9	SHELL
SIGNAL NAME	VBUS	D-	D+	GND	StdA_SSRX-	StdA_SSRX+	GND_DRAIN	StdA_SSTX-	StdA_SSTX+	SHIELD

REV.	REVISION RECORD	DATE	UNIT:mm	GENERAL TOLERANCES		SCALE:	NAME	DATE	PART.NO:	DWG.NO:	 WanLian Teconology Co., Ltd
A0	NEW RELEASE	21.01.13		LINEAR	ANGLES	1:1	Wang_jr	21.01.13	WLU3F0-091XXX197	ENDE05	
			0.00±0.25	X'±3'		Han_Gao	21.01.13	TITLE:		REV: A0	SHEET: 1/1
			SIZE: A4	0.000±0.10	X'X' ±2'		Zijun_Huang	21.01.13	USB3.0 A/F Vertical DIP L=15.0mm		