

The product using material and processing must conform to the "WI-PZ-001"HSF technical standard control requirements

RoHS

NOTE:

1.MATERIAL SPECIFICATION:

- 1-1.HOUSING:  
LCP+30%GF 94V-0 COLOUR:BULE
- 1-2.CONTACT:COPPER ALLOY (T=0.25mm)
- 1-3.SHELL:BRASS

2.PLATING SPECIFICATION:

- 2-1.CONTACTS:  
Ni 50u" MIN. UNDER PLATED OVER ALL.  
Sn 80u"MIN ON SOLDER AREA  
Au PLATED ON THE CONTACTS AREA.
- 2-2. SHELL:  
Ni 30u" MIN. UNDER PLATED OVER ALL.

3.MECHANICAL PERFORMANCE:

- 3-1.INSERTION FORCE: 3.57kgf MAX
- 3-2.REMOVAL FORCE: 1.02kgf MIN
- 3-3.DURABILITY: 3000 CYCLES.

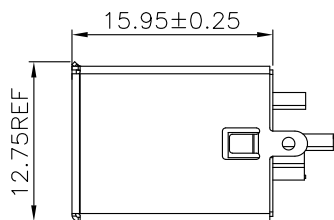
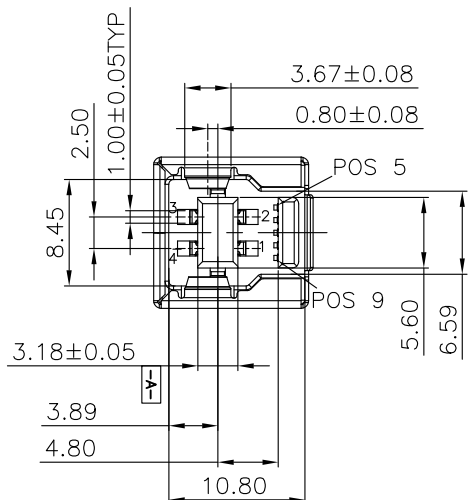
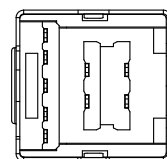
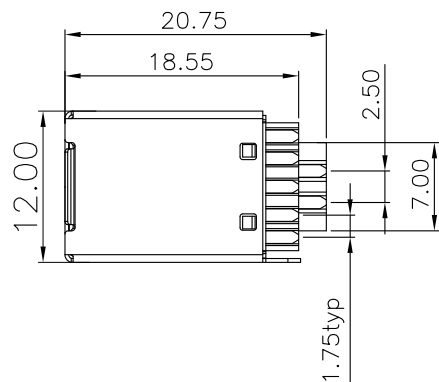
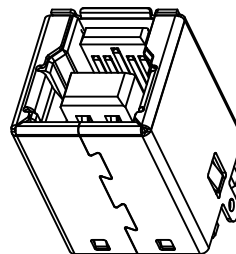
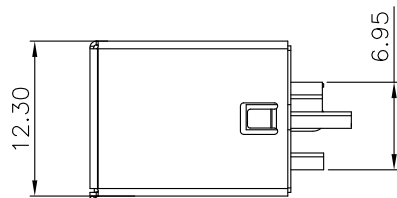
4.ELECTRICAL PERFORMANCE:

- 4-1.CURRENT RATING:1.5A
- 4-2.VOLTAGE RATING:30V MAX
- 4-3.CONTACT RESISTANCE: 30m Ohm MAX.
- 4-4.INSULATION RESISTANCE: 1000MΩ MIN
- 4-5.DIELECTRIC WITHSTANDING VOLTAGE: 100V AC MIN.

5.ENVIRONMENTAL PERFORMANCE:

OPERATING TEMPERATURE: -40°C~+85°C.

6.PACKAGE SPEC:TRAY



WLU3F0-09 4 X X X 170

PLATED:

- 1-G/F
- 2-Au 3u"
- 5-Au 15u"
- 6-Au 30u"

HOUSING:

- 1-PBT
- 2-LCP
- 3-PA9T

HOUSING COLOUR:

- A-BLACK
- G-BLUE

Pin Number	Signal Name	Pin Number	Signal Name
1	VBUS	5	StdB_SSTX-
2	D-	6	StdB_SSTX+
3	D+	7	GND_DRAIN
4	GND	8	StdB_SSRX-
Shell	Shield	9	StdB_SSRX+

REV.	REVISION RECORD	DATE		GENERAL TOLERANCES		SCALE: 1:1	NAME	DATE	PART.NO:	DWG.NO:	
A0	NEW RELEASE	21.01.13			LINEAR	ANGLES	APPROVED	Wang_jr	21.01.13	WLU3F0-094XXX170	
			UNIT:mm	0.00±0.25	X'±3'	DESIGNER	Han_Gao	21.01.13	TITLE: USB3.0 BF WELDING LINE L=20.75mm		REV: A0    SHEET: 1/1
			SIZE: A4	0.000±0.10	X'X' ±2'	DRAWN	Zijun_Huang	21.01.13			