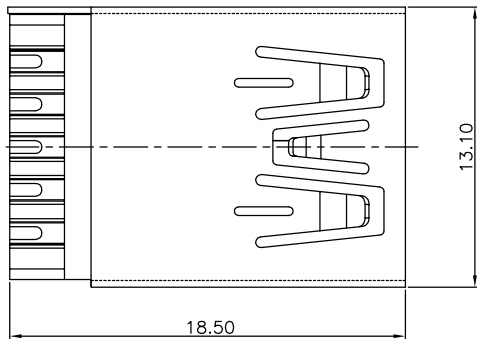
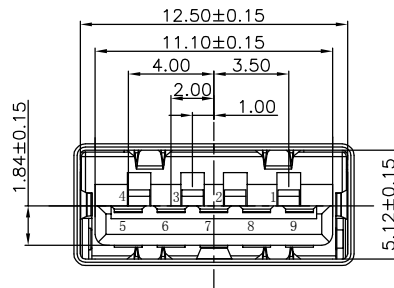
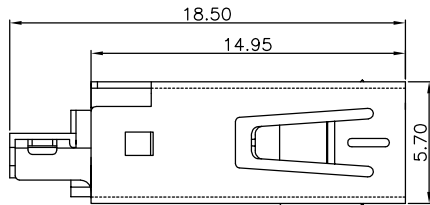
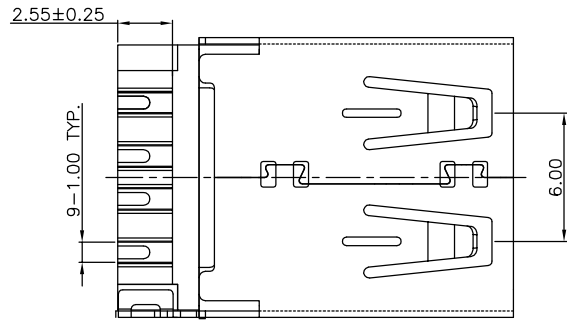


The product using material and processing must conform to the "WL-PZ-001"HSF technical standard control requirements

RoHS



NOTE:

1.MATERIAL SPECIFICATION:

1-1.HOUSING:PBT UL94V-0 BLUE

1-2.CONTACTS:COPPER ALLOY(T=0.25mm)

1-3.SHELL: SUS201/SPCC/BRASS

2.PLATING SPECIFICATION:

2-1.CONTACTS:

AU PLATED ON CONTACT AREA

TIN PLATED ON SOLDER AREA

NICKEL UNDERPLATING OVER ALL

2-2. SHELL:

Ni UNDER PLATED OVER ALL.

3.MECHANICAL PERFORMANCE:

3-1.INSERTION FORCE: 3.57kgf MAX

3-2.REMOVAL FORCE: 1.02kgf MIN

4.ELECTRICAL PERFORMANCE:

4-1.CURRENT RATING:1.5A

4-2.VOLTAGE RATING:30V MAX

4-3.CONTACT RESISTANCE: 30m Ohm MAX.

4-4.INSULATION RESISTANCE: 100MΩ MIN

4-5.DIELECTRIC WITHSTANDING VOLTAGE: 100V AC MIN.

5.ENVIRONMENTAL PERFORMANCE:

OPERATING TEMPERATURE: -40°C~+85°C.

PACKAGE SPEC: BAG

PART.NO.:

WLU3FO-094 X X X 192

PLATING:

1-G/F

2-Au 3u"

5-Au 15u"

6-Au 30u"

SHELL:

1-SPCC

2-COPPER ALLOY

3-SUS201

HOUSING COLOUR:

A-BLACK

G-BLUE

PIN	PIN 1	PIN 2	PIN 3	PIN 4	PIN 5	PIN 6	PIN 7	PIN 8	PIN 9
SIGNAL NAME	VBUS	D-	D+	GND	StdA_SSRX-	StdA_SSRX+	GND_DRAIN	StdA_SSTX-	StdA_SSTX+

REV.	REVISION RECORD	DATE	GENERAL TOLERANCES		SCALE:	NAME	DATE	PART.NO:	DWG.NO:	 WanLian Teconology Co., Ltd
A0	NEW RELEASE	21.01.13	LINEAR	ANGLES	1:1	Wang_jr	21.01.13	WLU3FO-094XXX192	ENDE05	
			0.0±0.35	X°REF±6°	APPROVED	Han_Gao	21.01.13	TITLE: USB3.0 A/F solder L=18.5mm		REV: A0
			0.00±0.25	X'±3°	DESIGNER	Zijun_Huang	21.01.13			
			0.000±0.10	X''±2°	DRAWN					