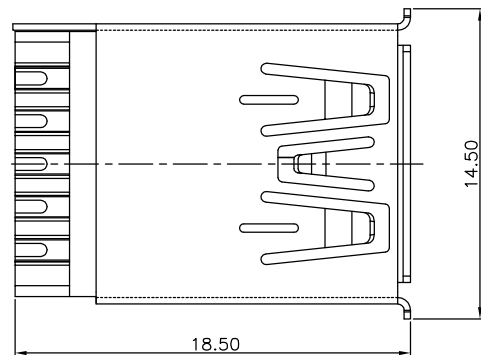
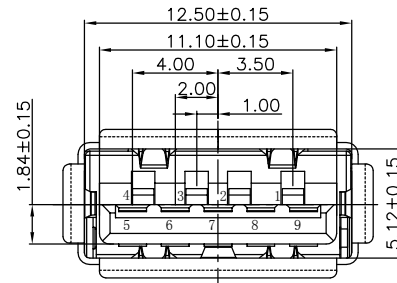
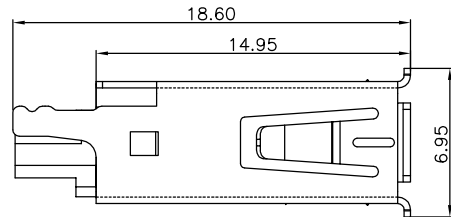
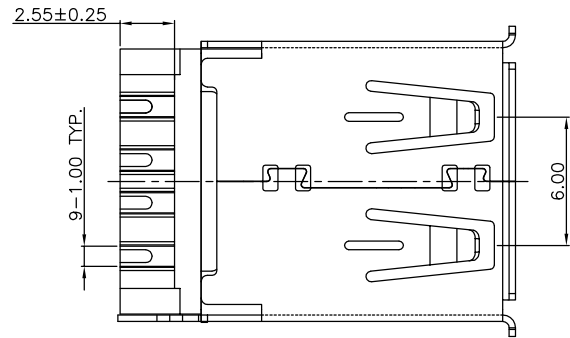


The product using material and processing must conform to the "WL-PZ-001"HSF technical standard control requirements

RoHS



NOTE:

- 1.MATERIAL SPECIFICATION:
 - 1-1.HOUSING:PBT UL94V-0 BLUE
 - 1-2.CONTACTS:COPPER ALLOY(T=0.25mm)
 - 1-3.SHELL: SUS201/SPCC/BRASS
- 2.PLATING SPECIFICATION:
 - 2-1.CONTACTS:
 - AU PLATED ON CONTACT AREA
 - TIN PLATED ON SOLDER AREA
 - NICKEL UNDERPLATING OVER ALL
 - 2-2. SHELL:
 - Ni UNDER PLATED OVER ALL.
- 3.MECHANICAL PERFORMANCE:
 - 3-1.INSERTION FORCE: 3.57kgf MAX
 - 3-2.REMOVAL FORCE: 1.02kgf MIN
- 4.ELECTRICAL PERFORMANCE:
 - 4-1.CURRENT RATING:1.5A
 - 4-2.VOLTAGE RATING:30V MAX
 - 4-3.CONTACT RESISTANCE: 30m Ohm MAX.
 - 4-4.INSULATION RESISTANCE: 100MΩ MIN
 - 4-5.DIELECTRIC WITHSTANDING VOLTAGE: 100V AC MIN.
- 5.ENVIRONMENTAL PERFORMANCE:
 - OPERATING TEMPERATURE: -40°C~+85°C.
 - PACKAGE SPEC: BAG

PART.NO.:

WLU3F0-094 X X X 193

PLATING:	SHELL:
1-G/F	1-SPCC
2-Au 3u"	2-COPPER ALLOY
5-Au 15u"	3-SUS201
6-Au 30u"	HOUSING COLOUR:
	A-BLACK
	G-BLUE

PIN	PIN 1	PIN 2	PIN 3	PIN 4	PIN 5	PIN 6	PIN 7	PIN 8	PIN 9
SIGNAL NAME	VBUS	D-	D+	GND	StdA_SSRX-	StdA_SSRX+	GND_DRAIN	StdA_SSTX-	StdA_SSTX+

REV.	REVISION RECORD	DATE	GENERAL TOLERANCES		SCALE:	NAME	DATE	PART.NO:	DWG.NO:	 WanLian Teconology Co., Ltd
A0	NEW RELEASE	21.01.13	LINEAR	ANGLES	1:1	Wang_jr	21.01.13	WLU3F0-094XXX193	ENDE05	
			0.0±0.35	X°REF±6°	APPROVED	Han_Gao	21.01.13	TITLE: USB3.0 A/F solder L=18.5mm	REV: A0	SHEET: 1/1
			0.00±0.25	X'±3°	DESIGNER	Zijun_Huang	21.01.13			
			UNIT:mm	0.00±0.10	DRAWN					
			SIZE: A4	X°X' ±2°						