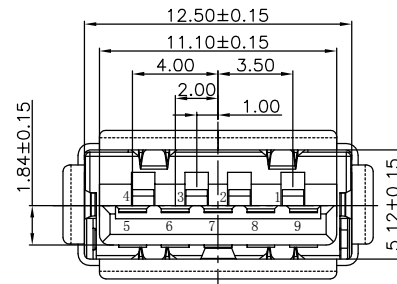
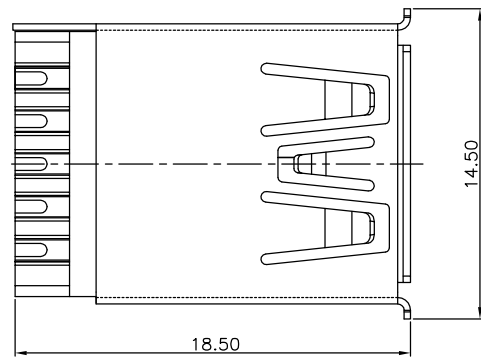
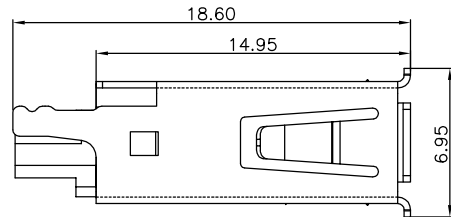
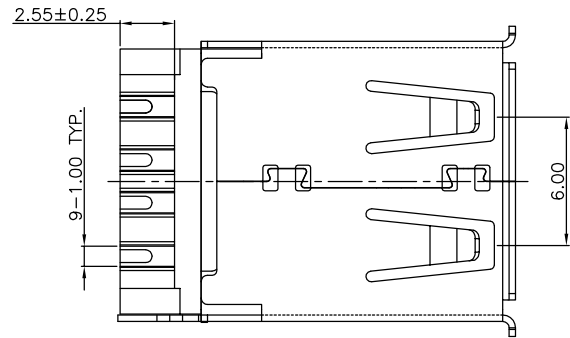


The product using material and processing must conform to the "WL-PZ-001"HSF technical standard control requirements

RoHS



NOTE:

- 1.MATERIAL SPECIFICATION:
  - 1-1.HOUSING:PBT UL94V-0 BLUE
  - 1-2.CONTACTS:COPPER ALLOY( T=0.25mm)
  - 1-3.SHELL: SUS201/SPCC/BRASS
- 2.PLATING SPECIFICATION:
  - 2-1.CONTACTS:
    - AU PLATED ON CONTACT AREA
    - TIN PLATED ON SOLDER AREA
    - NICKEL UNDERPLATING OVER ALL
  - 2-2. SHELL:
    - Ni UNDER PLATED OVER ALL.
- 3.MECHANICAL PERFORMANCE:
  - 3-1.INSERTION FORCE: 3.57kgf MAX
  - 3-2.REMOVAL FORCE: 1.02kgf MIN
- 4.ELECTRICAL PERFORMANCE:
  - 4-1.CURRENT RATING:1.5A
  - 4-2.VOLTAGE RATING:30V MAX
  - 4-3.CONTACT RESISTANCE: 30m Ohm MAX.
  - 4-4.INSULATION RESISTANCE: 100MΩ MIN
  - 4-5.DIELECTRIC WITHSTANDING VOLTAGE: 100V AC MIN.
- 5.ENVIRONMENTAL PERFORMANCE:
  - OPERATING TEMPERATURE: -40°C~+85°C.
  - PACKAGE SPEC: BAG

PART.NO.:

WLU3F0-094 X X X 194

PLATING: 1-G/F  
 2-Au 3u"  
 5-Au 15u"  
 6-Au 30u"

SHELL: 1-SPCC  
 2-COPPER ALLOY  
 3-SUS201

HOUSING COLOUR: A-BLACK  
 G-BLUE

PIN	PIN 1	PIN 2	PIN 3	PIN 4	PIN 5	PIN 6	PIN 7	PIN 8	PIN 9
SIGNAL NAME	VBUS	D-	D+	GND	StdA_SSRX-	StdA_SSRX+	GND_DRAIN	StdA_SSTX-	StdA_SSTX+

REV.	REVISION RECORD	DATE	GENERAL TOLERANCES		SCALE:	NAME	DATE	PART.NO:	DWG.NO:
A0	NEW RELEASE	21.01.13	LINEAR	ANGLES	1:1	Wang_jr	21.01.13	WLU3F0-094XXX194	ENDE05
			0.0±0.35	X°REF±6°	APPROVED				
			0.00±0.25	X°±3°	DESIGNER	Han_Gao	21.01.13	TITLE:	
			0.000±0.10	X°X' ±2°	DRAWN	Zijun_Huang	21.01.13	USB3.0 A/F solder L=18.5mm	



REV: A0 SHEET: 1/1