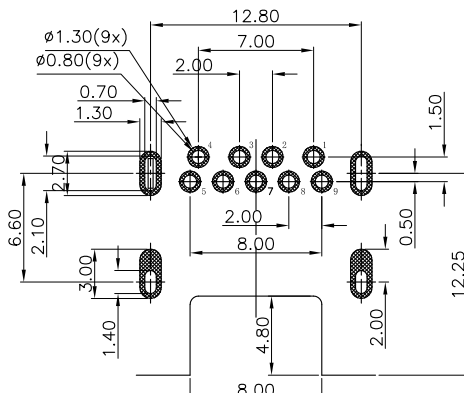
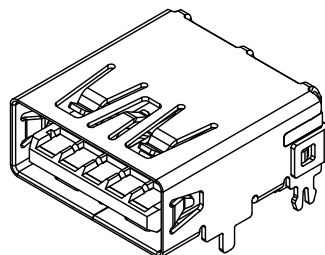
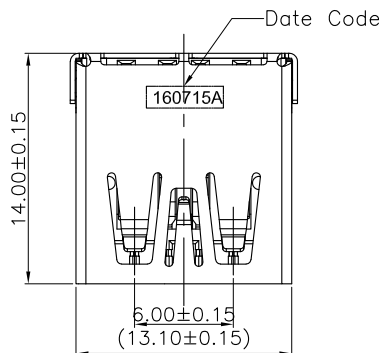
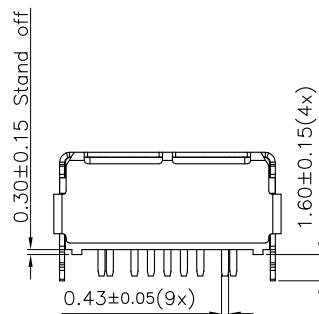
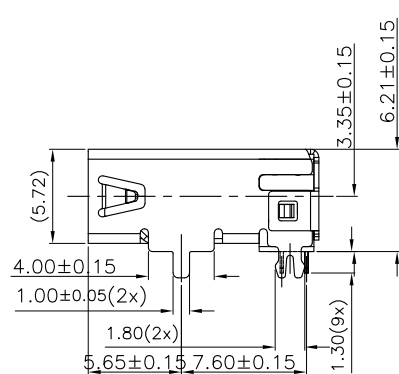
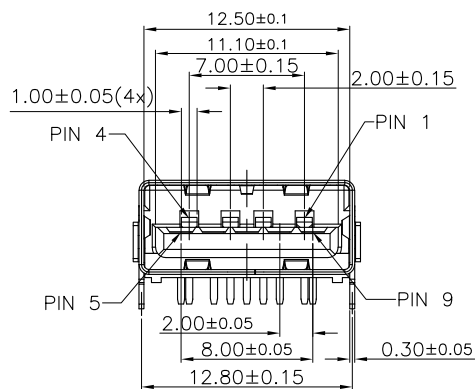


The product using material and processing must conform to the "WI-PZ-001" HSF technical standard control requirements



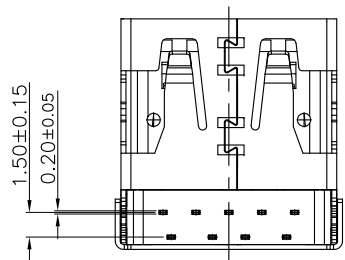
RECOMMENDED PCB LAYOUT (TOP VIEW)
GENERAL TOLERANCES: ±0.03 (t=1.2)



NOTE:
1.MATERIAL SPECIFICATION:
1-1.HOUSING:LCP BLACK UL94V-0
1-2.CONTACTS:Phosphor Bronze,
1-3.SHELL:STAINLESS STEEL.
2.PLATING SPECIFICATION:
2-1.CONTACTS:
Ni 50u" MIN. UNDER PLATED OVER ALL.
Au PLATED ON THE FUNCTIONAL AREA OF CONTACT.
2-2. SHELL:
Ni 30u" MIN. UNDER PLATED OVER ALL.
3.MECHANICAL PERFORMANCE:
3-1.INSERTION FORCE: 3.57kgf MAX
3-2.REMOVAL FORCE: 1.02kgf MIN
3-3.DURABILITY: 5000 CYCLES.
4.ELECTRICAL PERFORMANCE:
4-1.CURRENT RATING:1.5A
4-2.VOLTAGE RATING:30V MAX
4-3.Contact Resistance: 30m Ohm Max.
4-4.INSULATION RESISTANCE: 100MΩ MIN
4-5.Dielectric Withstanding Voltage: 100V AC Min
5.ENVIRONMENTAL PERFORMANCE:
OPERATING TEMPERATURE: -40°C~+85°C.
6.DATECODE INFORMATION:
YYMMDD (Y:YEAR M:MONTH D:DATE)
7.PACKAGE SPEC:REEL

WLU3F9-09 1 X X 0034

PLATING: 1-G/F 2-AU 3U" 5-AU 15U" 6-AU 30U"
COLOUR: A:BLACK K:WHITE G:BLUE



REV.	REVISION RECORD	DATE		GENERAL TOLERANCES		SCALE: 1:1	NAME	DATE	PART. NO: WLU3F9-091XX0034	DWG. NO: ENDE05	 WanLian Teconology Co., Ltd
A0	NEW RELEASE	21.01.13		LINEAR	ANGLES	APPROVED	Wang_jr	21.01.13			
			0.0±0.35	X° REF±6°	DESIGNER	Ding_bo	21.01.13	TITLE: USB3.0 AF 单层 DIP 四脚插板			
			UNIT: mm	0.00±0.25	X° ±3°	DRAWN	Ou_jian	21.01.13	REV: A0	SHEET: 1/1	
			SIZE: A4	0.000±0.10	X° X'±2°						