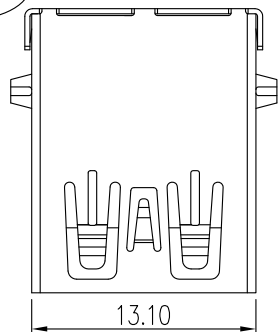
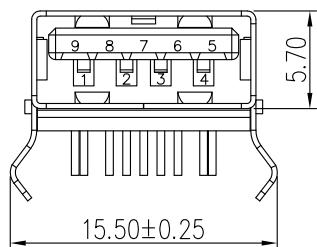


The product using material and processing must conform to the "WI-PZ-001"HSF technical standard control requirements

RoHS

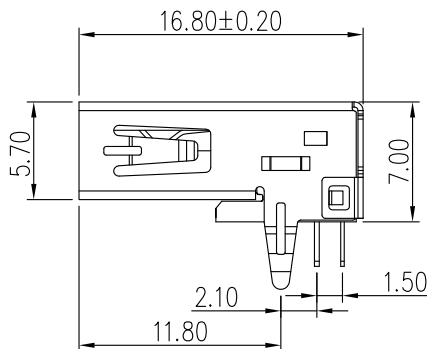


13.10



15.50±0.25

5.70



16.80±0.20

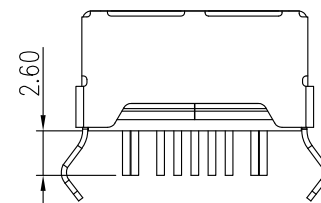
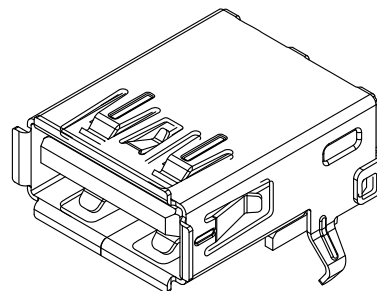
5.70

7.00

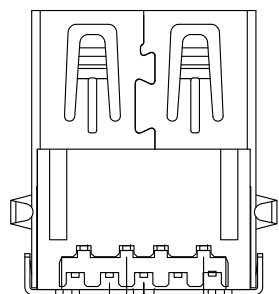
2.10

11.80

1.50



2.60

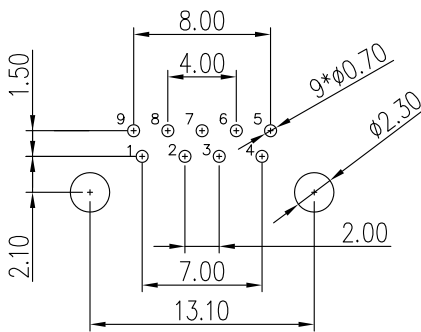


2*1.00

4*2.00

2*3.50

PIN NUMBER	SIGNAL NAME
PIN 1	Vbus
PIN 2	D-
PIN 3	D+
PIN 4	GND
PIN 5	StdA_SSRX-
PIN 6	StdA_SSRX+
PIN 7	GND_DRAIN
PIN 8	StdA_SSTX-
PIN 9	StdA_SSTX+
SHELL	GND



RECOMMENDER P.C.B.LAYOUT TOP VIEW
(COMPONENT SIDE TOLERANCE±0.05)

NOTE:

1.MATERIAL SPECIFICATION:

1-1.HOUSING:PBT

1-2.CONTACTS:C2680.

1-3.SHELL: SPCC

2.PLATING SPECIFICATION:

2-1.CONTACTS:

Ni UNDER PLATED OVER ALL.

Sn ON SOLDER AREA

Au PLATED ON THE CONTACTS AREA.

2-2. SHELL:

Cu UNDER PLATED OVER ALL.

Ni ON SOLDER AREA

3.MECHANICAL PERFORMANCE:

3-1.INSERTION FORCE: 3.57kgf MAX

3-2.REMOVAL FORCE: 1.02kgf MIN

3-3.DURABILITY: 1500 CYCLES.

4.ELECTRICAL PERFORMANCE:

4-1.CURRENT RATING:1.5A

4-2.VOLTAGE RATING:30V MAX

4-3.CONTACT RESISTANCE: 30m Ohm MAX.

4-4.INSULATION RESISTANCE: 1000MΩ MIN

4-5.DIELECTRIC WITHSTANDING VOLTAGE: 100V AC MIN.

5.ENVIRONMENTAL PERFORMANCE:

OPERATING TEMPERATURE: -40°C~+85°C.

6.P/N:

WLU3F9-09 1 X X 0159

PLATED:

1-G/F

2-Au 3u"

5-Au 15u"

6-Au 30u"

COLOUR:

A-BLACK

G-BLUE

REV. REVISION RECORD DATE

A0 NEW RELEASE 21.01.13



GENERAL TOLERANCES

LINEAR ANGLES

0.0±0.35 X°REF±6°

0.00±0.25 X°±3°

0.000±0.10 X°X'±2°

UNIT: mm

SIZE: A4

SCALE:

1:1

APPROVED

DESIGNER

DRAWN

NAME

DATE

Wang_jr

Han_Gao

Zijun_Huang

DATE

21.08.01

21.08.01

21.08.01

PART.NO:

WLU3F9-091XX0159

TITLE:

USB3.0 90° 9P/F DIP L=16.80mm

DWG.NO:

ENDE05



WanLian Teconology Co., Ltd

REV: A0 SHEET: 1/1