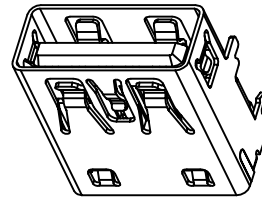
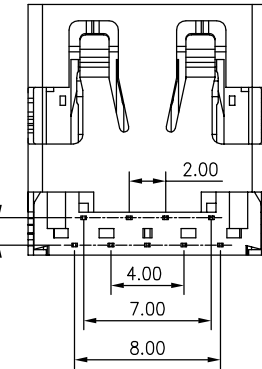
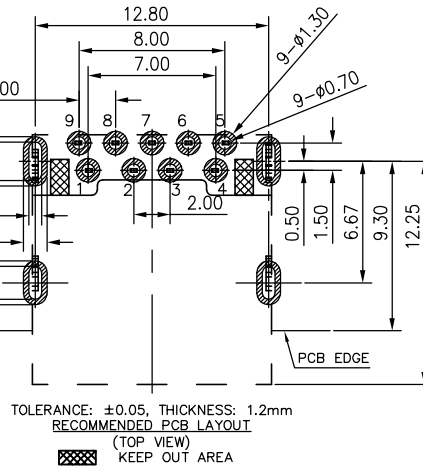
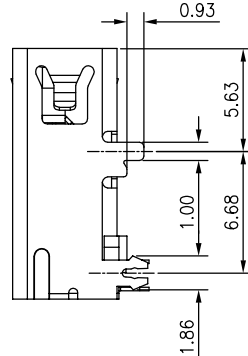
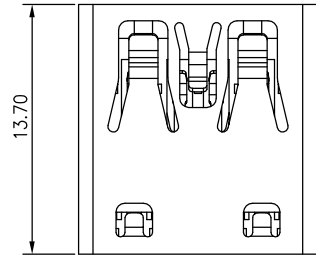
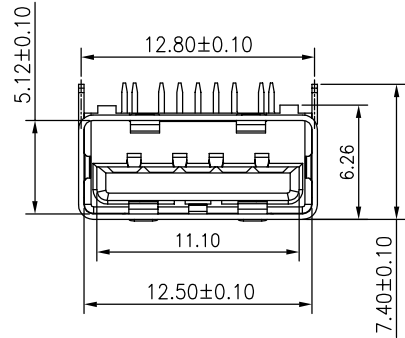


The product using material and processing must conform to the "WL-PZ-001" HSF technical standard control requirements

RoHS



Pin #	SIGNAL NAME	DESCRIPTION	MATING SEQUENCE
1	VBUS	POWER	SECOND
2	D-	USB 2.0 DIFFERENTIAL PAIR	THIRD
3	D+		
4	GND	GROUND FOR POWER RETURN	SECOND
5	StdA_SSRX-	SUPERSPEED RECEIVER DIFFERENTIAL PAIR	LAST
6	StdA_SSRX+		
7	GND_DRAIN	GROUND FOR SIGNAL RETURN	FRIST
8	StdA_SSTX-	SUPERSPEED TRANSMITTER DIFFERENTIAL PAIR	
9	StdA_SSTX+		
Shell	Shield	CONNECTOR METAL SHELL	

NOTE:

- MATERIAL SPECIFICATION:
 - 1-1.HOUSING: LCP BLUE UL94V-0
 - 1-2.CONTACTS: COPPER ALLOY(T=0.20mm).
 - 1-3.SHELL: STAINLESS STEEL.
- PLATING SPECIFICATION:
 - 2-1.TERMINAL CONTACTS: Ni 50u" MIN UNDER PLATED OVER ALL. Sn 80u"MIN AND ON SOLDER AREA Au PLATED ON THE CONTACTS AREA.
 - 2-2. SHELL: Ni 80u" MIN. UNDER PLATED OVER ALL.
- MECHANICAL PERFORMANCE:
 - 3-1.INSERTION FORCE: 3.5kgf MAX
 - 3-2.UNMATED FORCE:1.0kgf Min INITIAL; 0.8kgf Min AFTER TEST.
 - 3-3.DURABILITY: 5000 CYCLES.
- ELECTRICAL PERFORMANCE:
 - 4-1.CURRENT RATING:1.5A
 - 4-2.VOLTAGE RATING:30V MAX
 - 4-3.CONTACT RESISTANCE: 30m Ohm MAX.
 - 4-4.INSULATION RESISTANCE: 1000MΩ MIN
 - 4-5.DIELECTRIC WITHSTANDING VOLTAGE: 100V AC MIN.
- ENVIRONMENTAL PERFORMANCE:
 - OPERATING TEMPERATURE: -40°C~+85°C.
- PACKAGE SPEC: TRAY
- P/N ORDER: WLU3F9-09 1 X X X 090

PLATING:

- 1-G/F
- 2-Au 3u"
- 5-Au 15u"
- 6-Au 30u"

SHELL:

- 1-SPCC
- 2-COPPER ALLOY
- 3-SUS

HOUSING COLOUR:

- A-BLACK
- G-BLUE

REV.	REVISION RECORD	DATE	GENERAL TOLERANCES	SCALE:	NAME	DATE	PART.NO:	DWG.NO:
A0	NEW RELEASE	21.01.13	LINEAR	1:1	Wang_jr	21.01.13	WLU3F9-091XXX090	ENDE05
			ANGLES	APPROVED	Han_Gao	21.01.13	TITLE:	 WanLian Teconology Co., Ltd
			0.0±0.35	DESIGNER	Zijun_Huang	21.01.13	USB3.0 A TYPE 9P/F DIP	
			0.00±0.25	DRAWN				
			UNIT: mm					REV: A0
			SIZE: A4					SHEET: 1/1