

The product using material and processing must conform to the "WI-PZ-001" HSF technical standard control requirements

RoHS

NOTE:

1.MATERIAL SPECIFICATION:

- 1-1.HOUSING:PA9T/PBT UL94V-0
- 1-2.CONTACT:2.0 CONTACTS C5191
3.0 CONTACTS C2680

1-3.SHELL:BRASS

2.PLATING SPECIFICATION:

2-1.CONTACTS:

- AU PLATED ON CONTACT AREA
 - TIN 100U" PLATED ON SOLDER AREA
 - NICKEL 50U" PLATED UNDERPLATING OVER ALL.
- 2-2.SHELL:NICKEL PLATED

3.MECHANICAL PERFORMANCE:

- 3-1.MATING FORCE: 3.5kgf MAX.
- 3-2.UNMATING FORCE: 0.8kgf MIN.
- 3-3.DURABILITY: 3000 CYCLES.

4.ELECTRICAL PERFORMANCE:

4-1.CONTACT CURRENT RATING:

- 1.80 AMPERES FOR VBUS AND GND CONTACTS
 - 0.25 AMPERES FOR ALL OTHER CONTACTS
- 4-2.VOLTAGE RATING:30 Vac(rms)
- 4-3.CONTACT RESISTANCE:

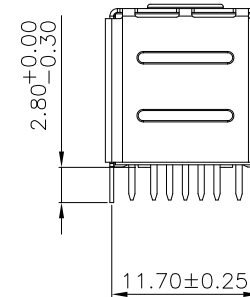
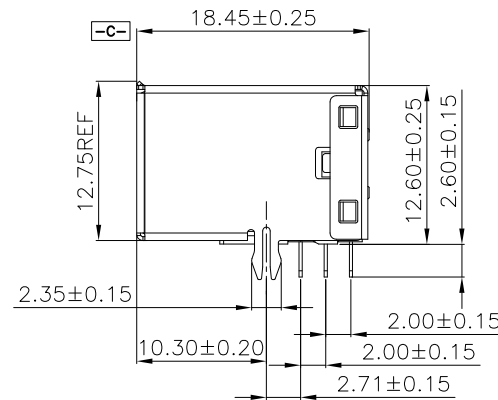
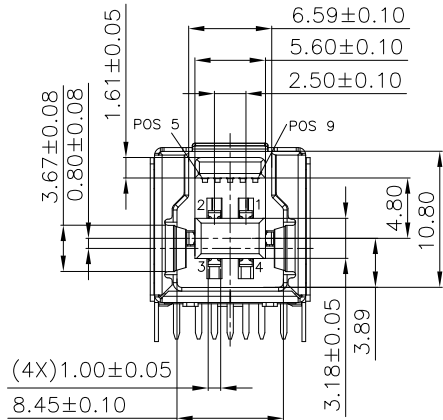
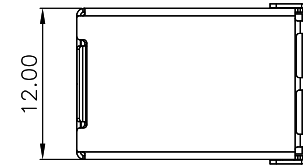
- 30m Ohm Max FOR VBUS AND GND CONTACTS.
- 50m Ohm Max FOR ALL OTHER CONTACTS.

- 4-4.INSULATION RESISTANCE: 100MΩ MIN
- 4-5.WITHSTANDING VOLTAGE: AC 100V(RMS).

5.TEMPERATURE RANGE:

OPERATING TEMPERATURE: -40°C~+85°C.

6.PACKAGE SPEC:TRAY



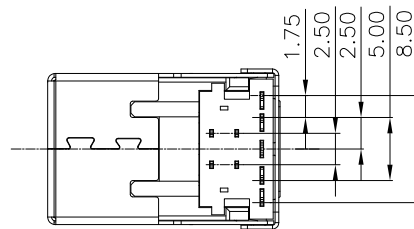
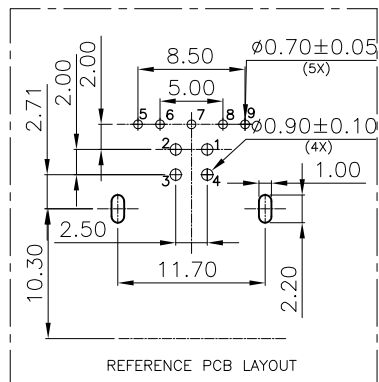
WLU3F0-09 1 X X X 171

PLATED:
1-G/F
2-Au 3u"
5-Au 15u"
6-Au 30u"

HOUSING:
1-PBT
2-LCP
3-PA9T

HOUSING COLOUR:
A-BLACK
G-BLUE

Pin Number	Signal Name	Pin Number	Signal Name
1	VBUS	5	StdB_SSTX-
2	D-	6	StdB_SSTX+
3	D+	7	GND_DRAIN
4	GND	8	StdB_SSRX-
Shell	Shield	9	StdB_SSRX+



REV.	REVISION RECORD	DATE	GENERAL TOLERANCES		SCALE:	NAME	DATE	PART.NO:	DWG.NO:	 WanLian Teconology Co., Ltd
A0	NEW RELEASE	21.01.13	LINEAR	ANGLES	1:1	Wang_jr	21.01.13	WLU3F9-091XXX171	ENDE05	
			0.0±0.35	X°REF±6°	APPROVED	Han_Gao	21.01.13	TITLE:		
			0.00±0.25	X°±3°	DESIGNER	Zijun_Huang	21.01.13	USB3.0 BF DIP L=18.45mm		
			UNIT:mm	X°±3°	DRAWN					REV: A0
			SIZE: A4	0.000±0.10						SHEET: 1/1