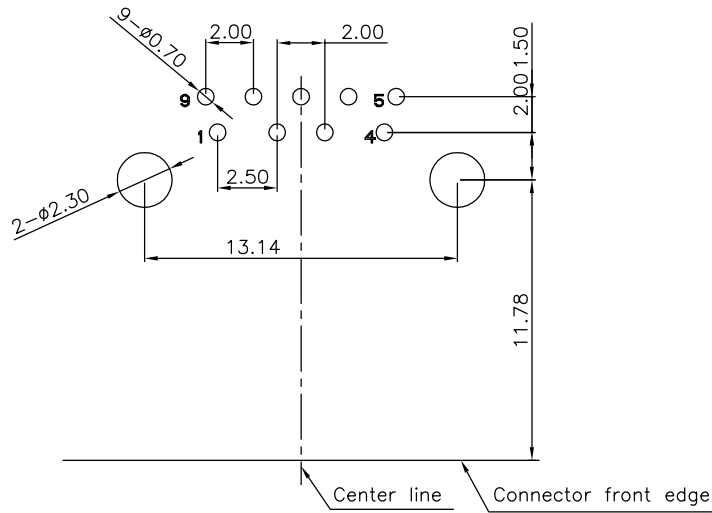
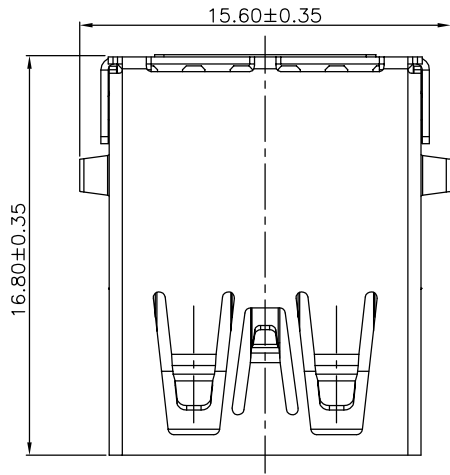


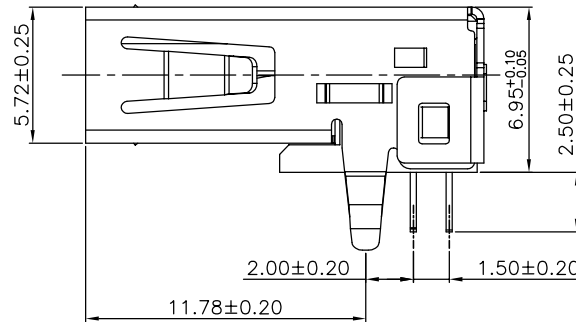
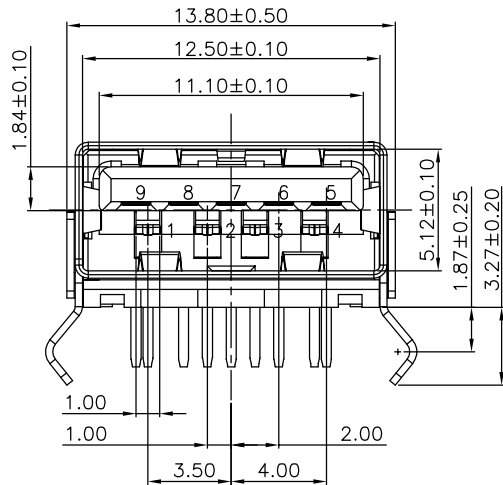
The product using material and processing must conform to the "WL-PZ-001"HSF technical standard control requirements

RoHS



NOTE:
 1.MATERIAL SPECIFICATION:
 1-1.HOUSING:PBT UL94V-0 BLUE
 1-2.CONTACTS:COPPER ALLOY(T=0.25mm)
 1-3.SHELL: METAL
 2.PLATING SPECIFICATION:
 2-1.CONTACTS:
 AU PLATED ON CONTACT AREA
 TIN PLATED ON SOLDER AREA
 NICKEL UNDERPLATING OVER ALL
 2-2. SHELL:
 Ni UNDER PLATED OVER ALL.
 3.MECHANICAL PERFORMANCE:
 3-1.INSERTION FORCE: 3.57kgf MAX
 3-2.REMOVAL FORCE: 1.02kgf MIN
 4.ELECTRICAL PERFORMANCE:
 4-1.CURRENT RATING:1.5A
 4-2.VOLTAGE RATING:30V MAX
 4-3.CONTACT RESISTANCE: 30m Ohm MAX.
 4-4.INSULATION RESISTANCE: 1000MΩ MIN
 4-5.DIELECTRIC WITHSTANDING VOLTAGE: 100V AC MIN.
 5.ENVIRONMENTAL PERFORMANCE:
 OPERATING TEMPERATURE: -40°C~+85°C.
 PACKAGE SPEC: TRAY
 PRAT.NO.:
 WLU3F9-091 X X X 200

PLATING: 1-G/F
 2-Au 3u"
 5-Au 15u"
 6-Au 30u"
 SHELL: 1-SPCC
 2-COPPER ALLOY
 HOUSING COLOUR:
 A-BLACK
 G-BLUE



PIN	PIN 1	PIN 2	PIN 3	PIN 4	PIN 5	PIN 6	PIN 7	PIN 8	PIN 9
SIGNAL NAME	VBUS	D-	D+	GND	StdA_SSRX-	StdA_SSRX+	GND_DRAIN	StdA_SSTX-	StdA_SSTX+

REV.	REVISION RECORD	DATE	GENERAL TOLERANCES	SCALE: 1:1	NAME	DATE	PART.NO:	DWG.NO:
A0	NEW RELEASE	21.01.13	LINEAR 0.0±0.35	APPROVED	Wang_jr	21.01.13	WLU3F9-091XXX200	ENDE05
			ANGLES X°REF±6°	DESIGNER	Han_Gao	21.01.13	TITLE: USB3.0 A/F Right Angle Type DIP	REV: A0
			UNIT:mm 0.00±0.25	DRAWN	Zijun_Huang	21.01.13		SHEET: 1/1
			SIZE: A4 0.000±0.10					



WanLian Teconology Co., Ltd