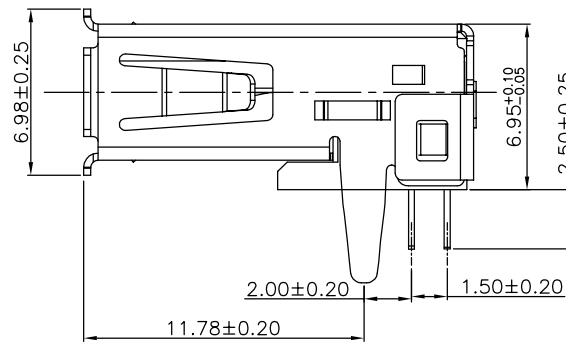
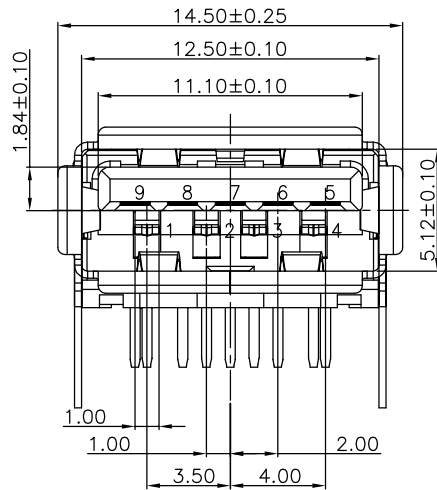
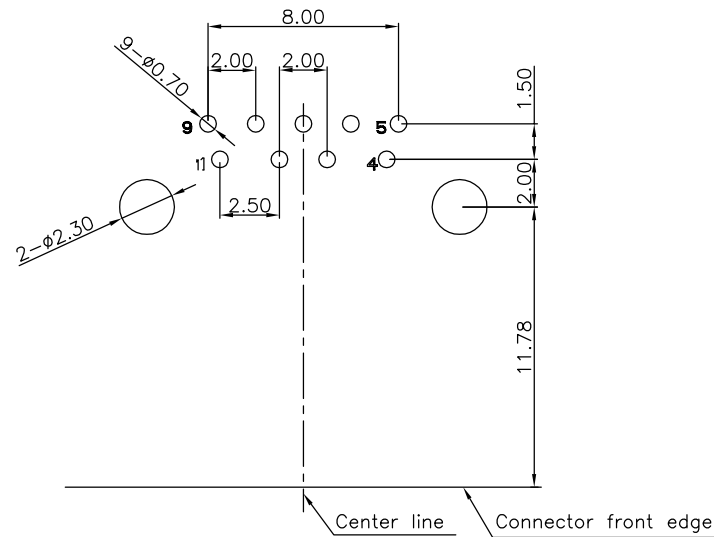
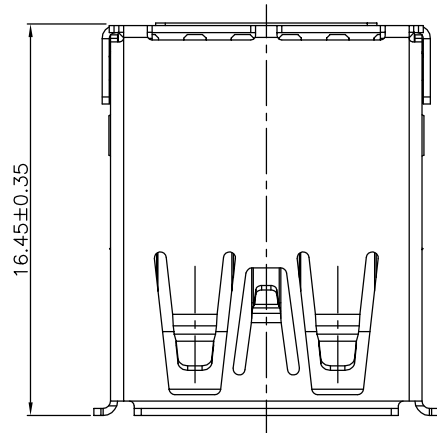


The product using material and processing must conform to the "WL-PZ-001"HSF technical standard control requirements

RoHS



NOTE:

- 1.MATERIAL SPECIFICATION:
 - 1-1.HOUSING:PBT UL94V-0 BLUE
 - 1-2.CONTACTS:COPPER ALLOY(T=0.25mm)
 - 1-3.SHELL: METAL
- 2.PLATING SPECIFICATION:
 - 2-1.CONTACTS:
 - AU PLATED ON CONTACT AREA
 - TIN PLATED ON SOLDER AREA
 - NICKEL UNDERPLATING OVER ALL
 - 2-2. SHELL:
 - Ni UNDER PLATED OVER ALL.
- 3.MECHANICAL PERFORMANCE:
 - 3-1.INSERTION FORCE: 3.57kgf MAX
 - 3-2.REMOVAL FORCE: 1.02kgf MIN
- 4.ELECTRICAL PERFORMANCE:
 - 4-1.CURRENT RATING:1.5A
 - 4-2.VOLTAGE RATING:30V MAX
 - 4-3.CONTACT RESISTANCE: 30m Ohm MAX.
 - 4-4.INSULATION RESISTANCE: 1000MΩ MIN
 - 4-5.DIELECTRIC WITHSTANDING VOLTAGE: 100V AC MIN.
- 5.ENVIRONMENTAL PERFORMANCE:
 - OPERATING TEMPERATURE: -40°C~+85°C.
 - PACKAGE SPEC: TRAY

PRAT.NO.:

WLU3F9-091 X X X 201

PLATING:
 1-G/F
 2-Au 3u"
 5-Au 15u"
 6-Au 30u"

SHELL:
 1-SPCC
 2-COPPER ALLOY

HOUSING COLOUR:
 A-BLACK
 G-BLUE

PIN	PIN 1	PIN 2	PIN 3	PIN 4	PIN 5	PIN 6	PIN 7	PIN 8	PIN 9
SIGNAL NAME	VBUS	D-	D+	GND	StdA_SSRX-	StdA_SSRX+	GND_DRAIN	StdA_SSTX-	StdA_SSTX+

REV.	REVISION RECORD	DATE	GENERAL TOLERANCES	SCALE: 1:1	NAME	DATE	PART.NO:	DWG.NO:
A0	NEW RELEASE	21.01.13	LINEAR 0.0±0.35	APPROVED	Wang_jr	21.01.13	WLU3F9-091XXX201	ENDE05
			ANGLES X°REF±6°	DESIGNER	Han_Gao	21.01.13	TITLE: USB3.0 A/F Right Angle Type DIP	REV: A0
			0.00±0.25	DRAWN	Zijun_Huang	21.01.13		
			UNIT:mm					
			SIZE: A4					



WanLian Teconology Co., Ltd