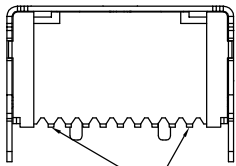
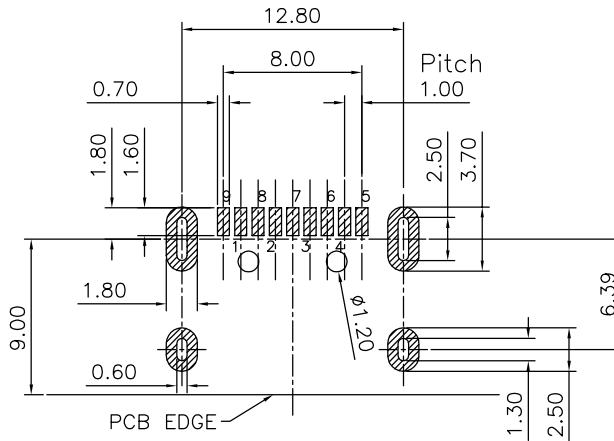
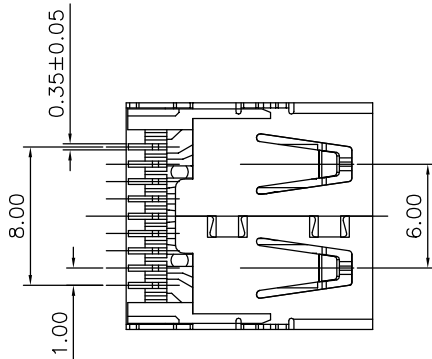
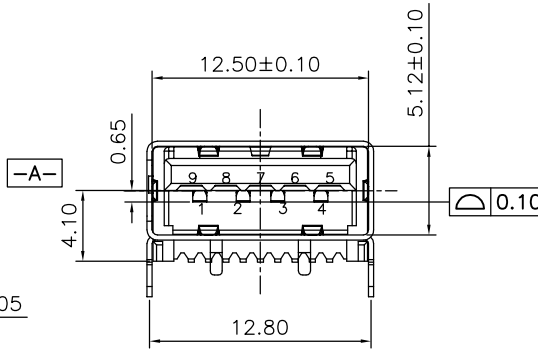
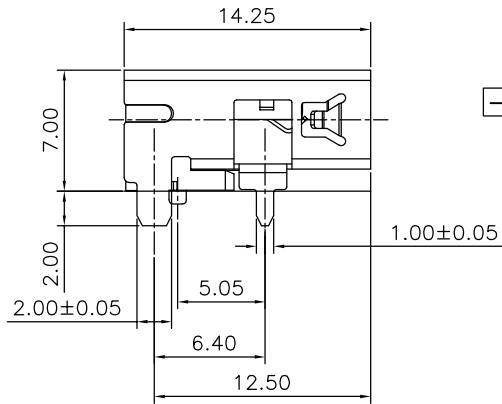


The product using material and processing must conform to the "WL-PZ-001"HSF technical standard control requirements



0.10



RECOMMENDED PCB LAYOUT
TOLERANCE:±0.05mm

Pin NUMBER	SIGNAL NAME	Pin NUMBER	SIGNAL NAME
1	VBUS	5	StdA_SSRX-
2	D-	6	StdA_SSRX+
3	D+	7	GND_DRAIN
4	GND	8	StdA_SSTX-
		9	StdA_SSTX+
SHELL	SHIELD	SHELL	SHIELD

NOTE:

- MATERIAL SPECIFICATION:
 - HOUSING:LCP BLUE UL94V-0
 - CONTACTS:C2680.
 - SHELL:COPPER ALLOY.
 - PLATING SPECIFICATION:
 - CONTACTS:
 - Ni 50u" MIN. UNDER PLATED OVER ALL.
 - Sn 80u"MIN ON SOLDER AREA
 - Au PLATED ON THE CONTACTS AREA.
 - SHELL:
 - Ni 80u" MIN. UNDER PLATED OVER ALL.
 - MECHANICAL PERFORMANCE:
 - INSERTION FORCE: 3.57kgf MAX
 - REMOVAL FORCE: 1.02kgf MIN
 - DURABILITY: 5000 CYCLES.
 - ELECTRICAL PERFORMANCE:
 - CURRENT RATING:1.5A
 - VOLTAGE RATING:30V MAX
 - CONTACT RESISTANCE: 30mΩ MAX.
 - INSULATION RESISTANCE: 1000MΩ MIN
 - DIELECTRIC WITHSTANDING VOLTAGE: 100V AC MIN.
 - ENVIRONMENTAL PERFORMANCE:
 - OPERATING TEMPERATURE: -40°C~+85°C.
 - PACKAGE SPEC:TRAY
 - P/N ORDER:
 - WLU3F9-09 2 X X X 093
- PLATING:
 - 1-G/F
 - 2-Au 3u"
 - 5-Au 15u"
 - 6-Au 30u"
- SHELL:
 - 1-SPCC
 - 2-COPPER ALLOY
- HOUSING COLOUR:
 - A-BLACK
 - G-BLUE

REV.	REVISION RECORD	DATE	GENERAL TOLERANCES		SCALE:	NAME	DATE	PART.NO:	DWG.NO:	 WanLian Teconology Co., Ltd
A0	NEW RELEASE	21.01.13	LINEAR	ANGLES	1:1	Wang_jr	21.01.13	WLU3F9-092XXX093	ENDE05	
			0.0±0.35	X°REF±6°	APPROVED	Han_Gao	21.01.13	TITLE:		
			0.00±0.25	X'±3°	DESIGNER	Zijun_Huang	21.01.13	USB3.0 A TYPE 9P/F SMT H=2.0mm	REV: A0	
			UNIT:mm	X°X'±2°	DRAWN				SHEET: 1/1	