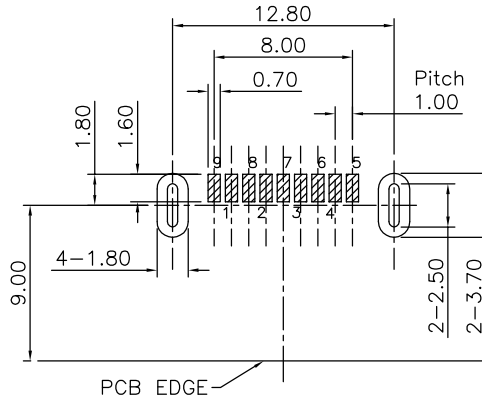
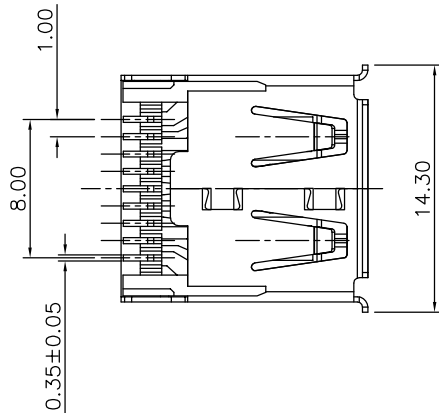
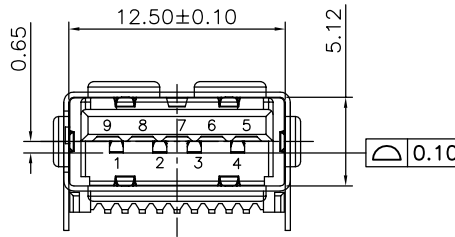
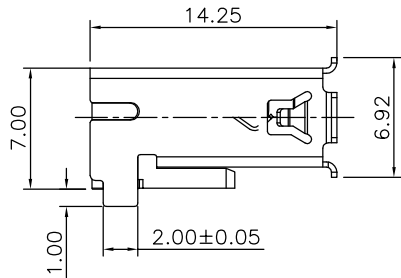
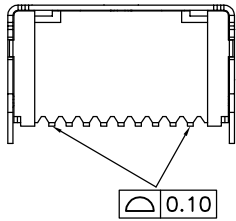


The product using material and processing must conform to the "WL-PZ-001" HSF technical standard control requirements

RoHS



RECOMMENDED PCB LAYOUT
TOLERANCE: ±0.05mm

Pin NUMBER	SIGNAL NAME	Pin NUMBER	SIGNAL NAME
1	VBUS	5	StdA_SSRX-
2	D-	6	StdA_SSRX+
3	D+	7	GND_DRAIN
4	GND	8	StdA_SSTX-
		9	StdA_SSTX+
SHELL	SHIELD	SHELL	SHIELD

NOTE:

- MATERIAL SPECIFICATION:
 - HOUSING: LCP BLUE UL94V-0
 - CONTACTS: C2680.
 - SHELL: COPPER ALLOY.
 - PLATING SPECIFICATION:
 - CONTACTS:
 - Ni 50u" MIN. UNDER PLATED OVER ALL.
 - Sn 80u" MIN ON SOLDER AREA
 - Au PLATED ON THE CONTACTS AREA.
 - SHELL:
 - Ni 80u" MIN. UNDER PLATED OVER ALL.
 - MECHANICAL PERFORMANCE:
 - INSERTION FORCE: 3.57kgf MAX
 - REMOVAL FORCE: 1.02kgf MIN
 - DURABILITY: 5000 CYCLES.
 - ELECTRICAL PERFORMANCE:
 - CURRENT RATING: 1.5A
 - VOLTAGE RATING: 30V MAX
 - CONTACT RESISTANCE: 30mΩ MAX.
 - INSULATION RESISTANCE: 1000MΩ MIN
 - DIELECTRIC WITHSTANDING VOLTAGE: 100V AC MIN.
 - ENVIRONMENTAL PERFORMANCE:
 - OPERATING TEMPERATURE: -40°C ~ +85°C.
 - PACKAGE SPEC: TRAY
 - P/N ORDER:
 - WLU3F9-09 2 X X X 094
- PLATING:
 - 1-G/F
 - 2-Au 3u"
 - 5-Au 15u"
 - 6-Au 30u"
- SHELL:
 - 1-SPCC
 - 2-COPPER ALLOY
- HOUSING COLOUR:
 - A-BLACK
 - G-BLUE

REV.	REVISION RECORD	DATE	GENERAL TOLERANCES		SCALE:	NAME	DATE	PART.NO:	DWG.NO:
A0	NEW RELEASE	21.01.13	LINEAR	ANGLES	1:1	Wang_jr	21.01.13	WLU3F9-092XXX094	ENDE05
			0.0±0.35	X°REF±6°	APPROVED	Han_Gao	21.01.13	TITLE: USB3.0 A TYPE 9P/F SMT H=1.0mm	 WanLian Teconology Co., Ltd
			0.00±0.25	X°±3°	DESIGNER	Zijun_Huang	21.01.13		
			0.000±0.10	X°X'±2°	DRAWN				
			UNIT:mm					REV: A0	SHEET: 1/1