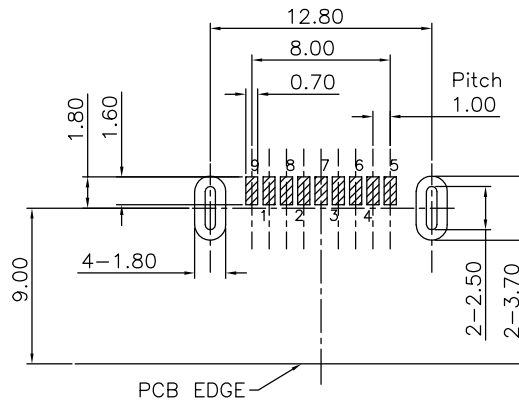
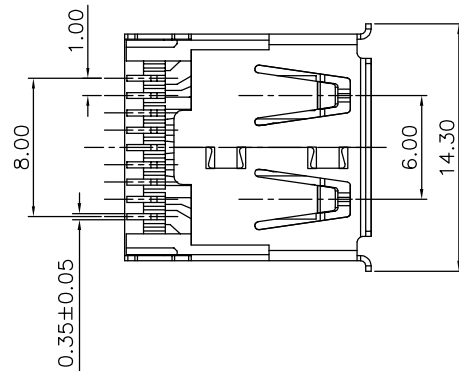
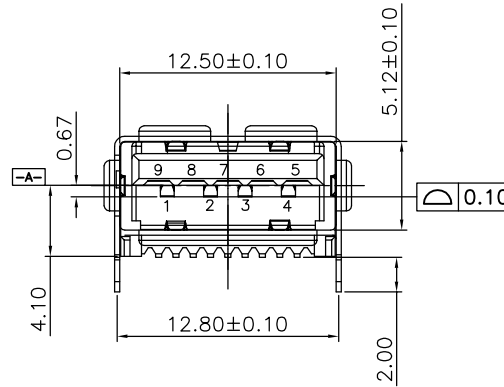
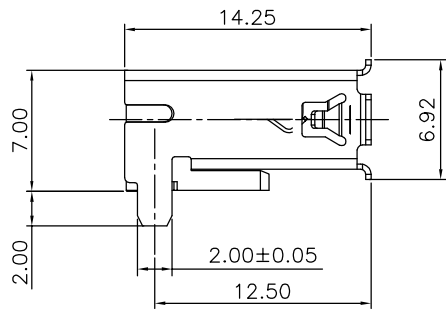
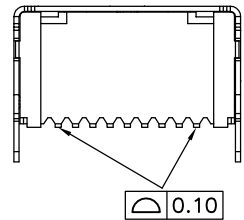


The product using material and processing must conform to the "WL-PZ-001"HSF technical standard control requirements

RoHS



RECOMMENDED PCB LAYOUT
TOLERANCE:±0.05mm

Pin NUMBER	SIGNAL NAME	Pin NUMBER	SIGNAL NAME
1	VBUS	5	StdA_SSRX-
2	D-	6	StdA_SSRX+
3	D+	7	GND_DRAIN
4	GND	8	StdA_SSTX-
		9	StdA_SSTX+
SHELL	SHIELD	SHELL	SHIELD

NOTE:

- MATERIAL SPECIFICATION:
 - HOUSING:LCP BLUE UL94V-0
 - CONTACTS:COPPER ALLOY(C2680).
 - SHELL:COPPER ALLOY.
- PLATING SPECIFICATION:
 - CONTACTS:
 - Ni 50u" MIN. UNDER PLATED OVER ALL.
 - Sn 80u"MIN ON SOLDER AREA
 - Au PLATED ON THE CONTACTS AREA.
 - SHELL:
 - Ni 80u" MIN. UNDER PLATED OVER ALL.
- MECHANICAL PERFORMANCE:
 - INSERTION FORCE: 3.57kgf MAX
 - REMOVAL FORCE: 1.02kgf MIN
 - DURABILITY: 5000 CYCLES.
- ELECTRICAL PERFORMANCE:
 - CURRENT RATING:1.5A
 - VOLTAGE RATING:30V MAX
 - CONTACT RESISTANCE: 30mΩ MAX.
 - INSULATION RESISTANCE: 1000MΩ MIN
 - DIELECTRIC WITHSTANDING VOLTAGE: 100V AC MIN.
- ENVIRONMENTAL PERFORMANCE:
 - OPERATING TEMPERATURE: -40°C~+85°C.
- PACKAGE SPEC: TRAY
- P/N ORDER:

WLU3F9-09 2 X X X 096

PLATING:
1-G/F
2-Au 3u"
5-Au 15u"
6-Au 30u"

SHELL:
1-SPCC
2-COPPER ALLOY

HOUSING COLOUR:
A-BLACK
G-BLUE

REV.	REVISION RECORD	DATE	GENERAL TOLERANCES	SCALE:	NAME	DATE	PART.NO:	DWG.NO:								
A0	NEW RELEASE	21.01.13	<table border="1"> <tr> <td>LINEAR</td> <td>ANGLES</td> </tr> <tr> <td>0.0±0.35</td> <td>X°REF±6°</td> </tr> <tr> <td>0.00±0.25</td> <td>X°±3°</td> </tr> <tr> <td>0.000±0.10</td> <td>X°X' ±2°</td> </tr> </table>	LINEAR	ANGLES	0.0±0.35	X°REF±6°	0.00±0.25	X°±3°	0.000±0.10	X°X' ±2°	1:1	Wang_jr	21.01.13	WLU3F9-092XXX096	ENDE05
LINEAR	ANGLES															
0.0±0.35	X°REF±6°															
0.00±0.25	X°±3°															
0.000±0.10	X°X' ±2°															
			UNIT:mm	APPROVED	Han_Gao	21.01.13	TITLE: USB3.0 A TYPE 9P/F SMT H=2.0mm	REV: A0								
			SIZE: A4	DESIGNER	Zijun_Huang	21.01.13			SHEET: 1/1							



WanLian Teconology Co., Ltd