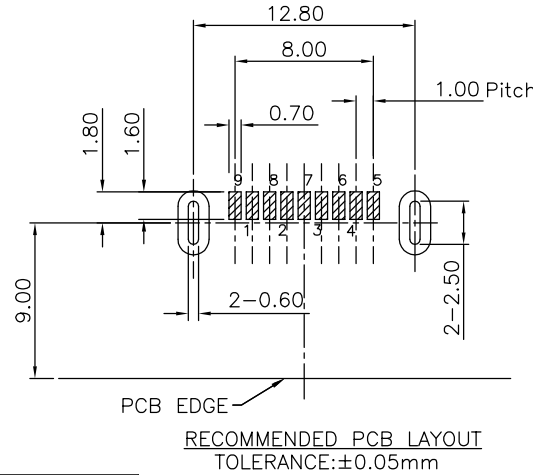
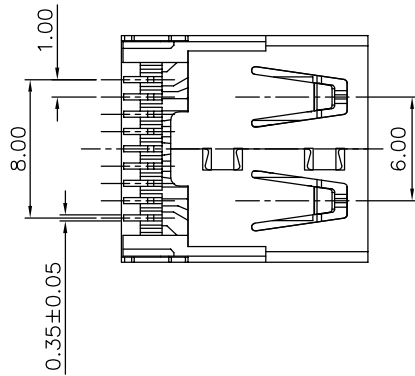
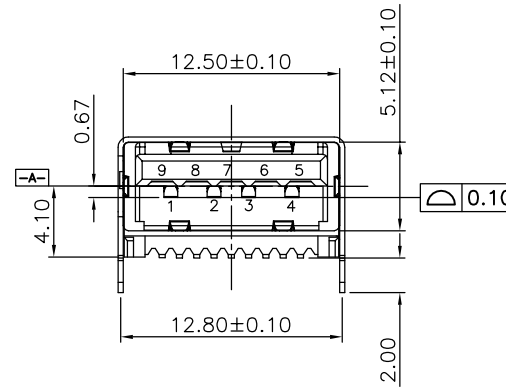
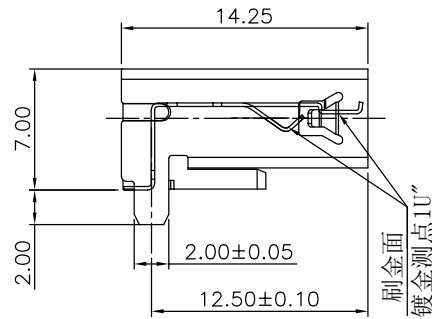
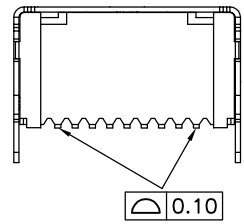


The product using material and processing must conform to the "WL-PZ-001"HSF technical standard control requirements

RoHS



NOTE:

- 1.MATERIAL SPECIFICATION:
    - 1-1.HOUSING:LCP BLUE UL94V-0
    - 1-2.CONTACTS:COPPER ALLOY(C2680).
    - 1-3.SHELL:COPPER ALLOY.
  - 2.PLATING SPECIFICATION:
    - 2-1.CONTACTS:
      - Ni 50u" MIN. UNDER PLATED OVER ALL.
      - Sn 80u"MIN ON SOLDER AREA
      - Au PLATED ON THE CONTACTS AREA.
    - 2-2. SHELL:
      - Ni 80u" MIN. UNDER PLATED OVER ALL.
  - 3.MECHANICAL PERFORMANCE:
    - 3-1.INSERTION FORCE: 3.57kgf MAX
    - 3-2.REMOVAL FORCE: 1.02kgf MIN
    - 3-3.DURABILITY: 5000 CYCLES.
  - 4.ELECTRICAL PERFORMANCE:
    - 4-1.CURRENT RATING:1.5A
    - 4-2.VOLTAGE RATING:30V MAX
    - 4-3.CONTACT RESISTANCE: 30mΩ MAX.
    - 4-4.INSULATION RESISTANCE: 1000MΩ MIN
    - 4-5.DIELECTRIC WITHSTANDING VOLTAGE: 100V AC MIN.
  - 5.ENVIRONMENTAL PERFORMANCE:
    - OPERATING TEMPERATURE: -40°C~+85°C.
  - 6.PACKAGE SPEC: TRAY
  - 7.P/N ORDER:
    - WL3F9-09 2 X X X 098
- PLATING:
  - 1-G/F
  - 2-Au 3u"
  - 5-Au 15u"
  - 6-Au 30u"
- SHELL:
  - 1-SPCC
  - 2-COPPER ALLOY
- HOUSING COLOUR:
  - A-BLACK
  - G-BLUE

Pin NUMBER	SIGNAL NAME	Pin NUMBER	SIGNAL NAME
1	VBUS	5	StdA_SSRX-
2	D-	6	StdA_SSRX+
3	D+	7	GND_DRAIN
4	GND	8	StdA_SSTX-
		9	StdA_SSTX+
SHELL	SHIELD	SHELL	SHIELD

REV.	REVISION RECORD	DATE	GENERAL TOLERANCES	SCALE: 1:1	NAME	DATE	PART.NO:	DWG.NO:								
A0	NEW RELEASE	21.01.13	<table border="1"> <tr> <td>LINEAR</td> <td>ANGLES</td> </tr> <tr> <td>0.0±0.35</td> <td>X°REF±6°</td> </tr> <tr> <td>0.00±0.25</td> <td>X'±3°</td> </tr> <tr> <td>0.000±0.10</td> <td>X"X' ±2°</td> </tr> </table>	LINEAR	ANGLES	0.0±0.35	X°REF±6°	0.00±0.25	X'±3°	0.000±0.10	X"X' ±2°	APPROVED	Wang_jr	21.01.13	WL3F9-092XXX098	ENDE05
LINEAR	ANGLES															
0.0±0.35	X°REF±6°															
0.00±0.25	X'±3°															
0.000±0.10	X"X' ±2°															
			UNIT:mm	DESIGNER	Han_Gao	21.01.13	TITLE:	 WanLian Teconology Co., Ltd								
			SIZE: A4	DRAWN	Zijun_Huang	21.01.13	USB3.0 A TYPE 9P/F SMT H=2.0mm									
								REV: A0	SHEET: 1/1							