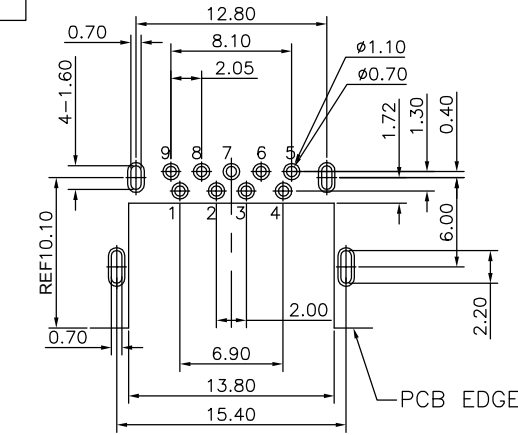
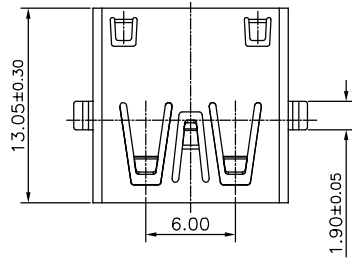
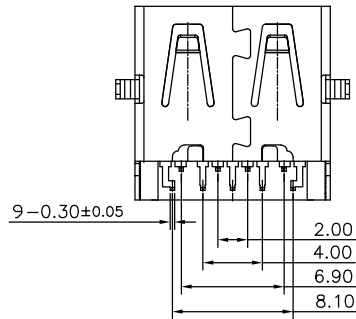
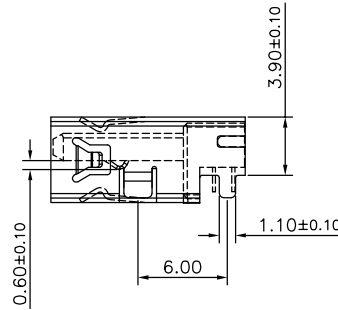
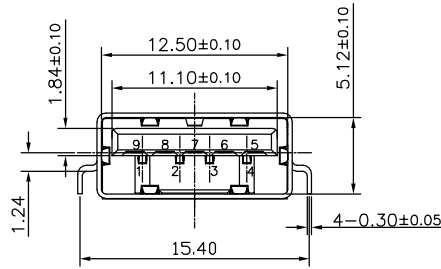


The product using material and processing must conform to the "WL-PZ-001" HSF technical standard control requirements

RoHS



TOLERANCE: ±0.05, THICKNESS: 1.2mm
RECOMMENDED PCB LAYOUT



Pin NUMBER	SIGNAL NAME	Pin NUMBER	SIGNAL NAME
1	VBUS	5	StdA_SSRX-
2	D-	6	StdA_SSRX+
3	D+	7	GND_DRAIN
4	GND	8	StdA_SSTX-
		9	StdA_SSTX+
SHELL	SHIELD	SHELL	SHIELD

NOTE:

1.MATERIAL SPECIFICATION:

1-1.HOUSING:LCP BLUE UL94V-0

1-2.CONTACTS:C2680.

1-3.SHELL:STAINLESS STEEL.

2.PLATING SPECIFICATION:

2-1.CONTACTS:

Ni 50u" MIN. UNDER PLATED OVER ALL.

Sn 80u" MIN ON SOLDER AREA

Au PLATED ON THE CONTACTS AREA.

2-2. SHELL:

Ni 80u" MIN. UNDER PLATED OVER ALL.

3.MECHANICAL PERFORMANCE:

3-1.INSERTION FORCE: 3.57kgf MAX

3-2.REMOVAL FORCE: 1.02kgf MIN

3-3.DURABILITY: 5000 CYCLES.

4.ELECTRICAL PERFORMANCE:

4-1.CURRENT RATING:1.5A

4-2.VOLTAGE RATING:30V MAX

4-3.CONTACT RESISTANCE: 30mΩ MAX.

4-4.INSULATION RESISTANCE: 1000MΩ MIN

4-5.DIELECTRIC WITHSTANDING VOLTAGE: 100V AC MIN.

5.ENVIRONMENTAL PERFORMANCE:

OPERATING TEMPERATURE: -40°C~+85°C.

6.PACKAGE SPEC:TRAY

7.P/N ORDER:

WLU3F9-09 8 X X X 103

PLATING:

1-G/F

2-Au 3u"

5-Au 15u"

6-Au 30u"

SHELL:

1-SPCC

2-COPPER ALLOY

3-SUS

HOUSING COLOUR:

A-BLACK

G-BLUE

REV.	REVISION RECORD	DATE	UNIT:mm	GENERAL TOLERANCES		SCALE: 1:1	NAME	DATE	PART.NO:	DWG.NO:	WanLian Teconology Co., Ltd
A0	NEW RELEASE	21.01.13		0.00±0.25	0.00±0.35	X°REF±6°	APPROVED	Wang_jr	21.01.13	WLU3F9-098XXX103	
			0.00±0.10	0.00±0.25	X°±3°	DESIGNER	Han_Gao	21.01.13	TITLE:	USB3.0 A TYPE 9P/F DIP H=3.9mm	REV: A0
			SIZE: A4	0.000±0.10	X°X' ±2°	DRAWN	Zijun_Huang	21.01.13			SHEET: 1/1



REV: A0 SHEET: 1/1