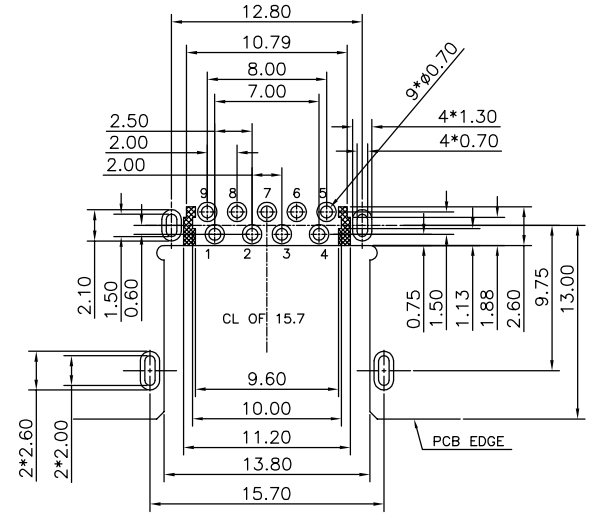


The product using material and processing must conform to the "WL-PZ-001"HSF technical standard control requirements

RoHS

Pin NUMBER	SIGNAL NAME	Pin NUMBER	SIGNAL NAME
1	VBUS	5	StdA_SSRX-
2	D-	6	StdA_SSRX+
3	D+	7	GND_DRAIN
4	GND	8	StdA_SSTX-
		9	StdA_SSTX+
SHELL	SHIELD	SHELL	SHIELD



TOLERANCE:  $\pm 0.05$ , THICKNESS: 1.2mm  
RECOMMENDED PCB LAYOUT

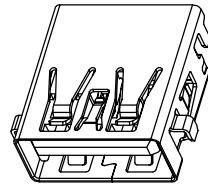
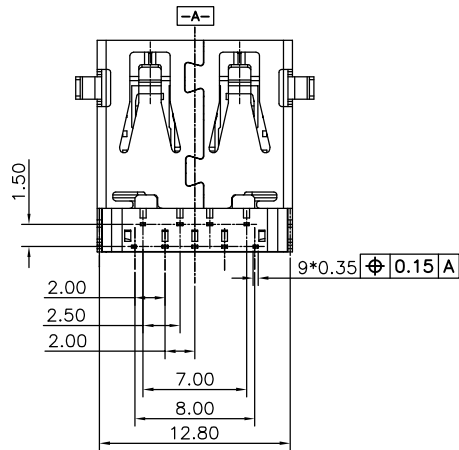
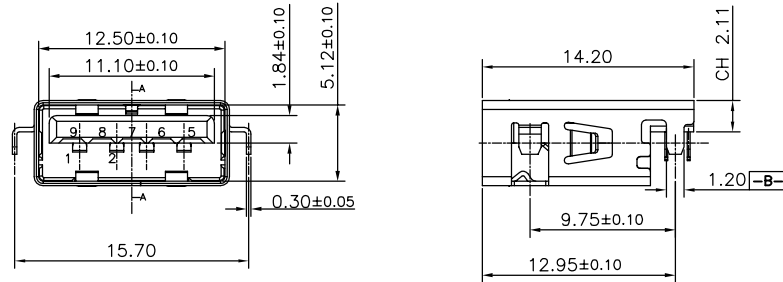
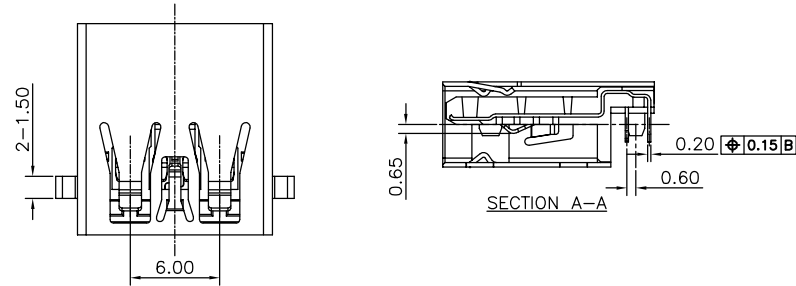
(TOP VIEW)  
KEEP OUT AREA

NOTE:

- MATERIAL SPECIFICATION:
  - HOUSING: LCP BLUE UL94V-0
  - CONTACTS: C2680.
  - SHELL: STAINLESS STEEL.
- PLATING SPECIFICATION:
  - CONTACTS:
    - Ni 50u" MIN. UNDER PLATED OVER ALL.
    - Sn 80u" MIN ON SOLDER AREA
    - Au PLATED ON THE CONTACTS AREA.
  - SHELL:
    - Ni 80u" MIN. UNDER PLATED OVER ALL.
- MECHANICAL PERFORMANCE:
  - INSERTION FORCE: 3.57kgf MAX
  - REMOVAL FORCE: 1.02kgf MIN
  - DURABILITY: 5000 CYCLES.
- ELECTRICAL PERFORMANCE:
  - CURRENT RATING: 1.5A
  - VOLTAGE RATING: 30V MAX
  - CONTACT RESISTANCE: 30mΩ MAX.
  - INSULATION RESISTANCE: 1000MΩ MIN
  - DIELECTRIC WITHSTANDING VOLTAGE: 100V AC MIN.
- ENVIRONMENTAL PERFORMANCE:
  - OPERATING TEMPERATURE: -40°C~+85°C.
- PACKAGE SPEC: TRAY

PART. NO.:  
WLU3F9-09 8 X X X 104

PLATING: 1-G/F  
2-Au 3u"  
5-Au 15u"  
6-Au 30u"  
SHELL: 1-SPCC  
2-COPPER ALLOY  
3-SUS  
HOUSING COLOUR:  
A-BLACK  
G-BLUE



REV.	REVISION RECORD	DATE	GENERAL TOLERANCES		SCALE:	NAME	DATE	PART.NO:	DWG.NO:
A0	NEW RELEASE	21.01.13	LINEAR	ANGLES	1:1	Wang_jr	21.01.13	WLU3F9-098XXX104	ENDE05
			0.00±0.35	X°REF±6°	APPROVED	Han_Gao	21.01.13	TITLE:	 WanLian Teconology Co., Ltd
			UNIT:mm	X'±3°	DESIGNER	Zijun_Huang	21.01.13	USB3.0 A TYPE 9P/F DIP H=2.11mm	
			SIZE: A4	X°X'±2°	DRAWN			REV: A0 SHEET: 1/1	