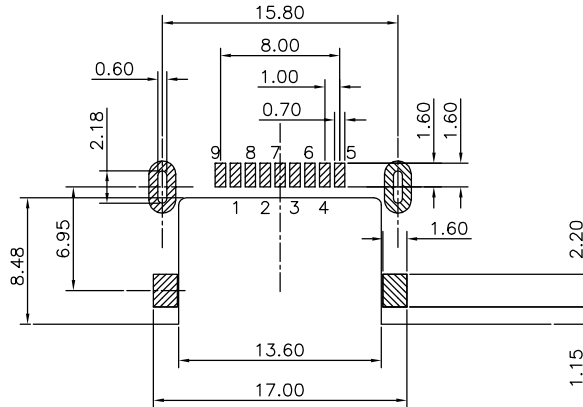
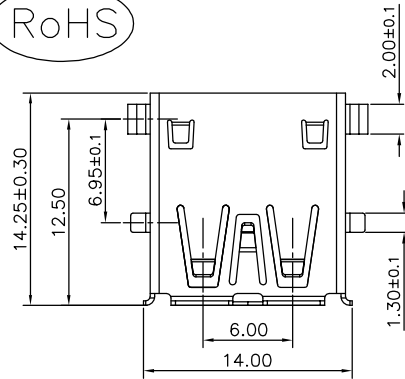


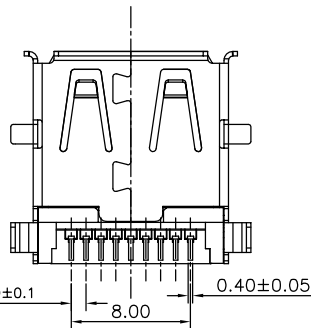
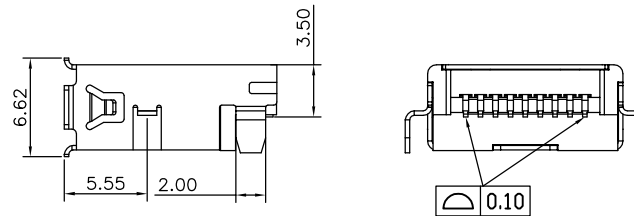
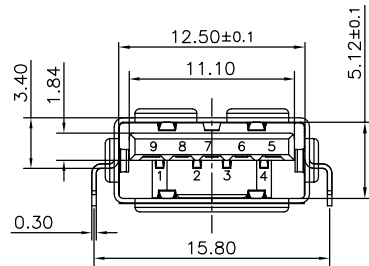
The product using material and processing must conform to the "WL-PZ-001"HSF technical standard control requirements

RoHS



NOTE:

- 1.MATERIAL SPECIFICATION:
  - 1-1.HOUSING:LCP BLUE UL94V-0
  - 1-2.CONTACTS:C2680.
  - 1-3.SHELL:STAINLESS STEEL.
- 2.PLATING SPECIFICATION:
  - 2-1.CONTACTS:  
Ni 50u" MIN. UNDER PLATED OVER ALL.  
Sn 80u"MIN ON SOLDER AREA  
Au PLATED ON THE CONTACTS AREA.
  - 2-2. SHELL:  
Ni 80u" MIN. UNDER PLATED OVER ALL.
- 3.MECHANICAL PERFORMANCE:
  - 3-1.INSERTION FORCE: 3.57kgf MAX
  - 3-2.REMOVAL FORCE: 1.02kgf MIN
  - 3-3.DURABILITY: 5000 CYCLES.
- 4.ELECTRICAL PERFORMANCE:
  - 4-1.CURRENT RATING:1.5A
  - 4-2.VOLTAGE RATING:30V MAX
  - 4-3.CONTACT RESISTANCE: 30mΩ MAX.
  - 4-4.INSULATION RESISTANCE: 1000MΩ MIN
  - 4-5.DIELECTRIC WITHSTANDING VOLTAGE: 100V AC MIN.
- 5.ENVIRONMENTAL PERFORMANCE:  
OPERATING TEMPERATURE: -40°C~+85°C.
- 6.PACKAGE SPEC: TRAY
- 7.P/N ORDER:



Pin NUMBER	SIGNAL NAME	Pin NUMBER	SIGNAL NAME
1	VBUS	5	StdA_SSRX-
2	D-	6	StdA_SSRX+
3	D+	7	GND_DRAIN
4	GND	8	StdA_SSTX-
		9	StdA_SSTX+
SHELL	SHIELD	SHELL	SHIELD

WLU3F9-09 8 X X X 108

PLATING: \_\_\_\_\_ SHELL:  
 1-G/F 1-SPCC  
 2-Au 3u" 2-COPPER ALLOY  
 5-Au 15u" 3-SUS  
 6-Au 30u" \_\_\_\_\_ HOUSING COLOUR:  
 A-BLACK  
 G-BLUE

REV.	REVISION RECORD	DATE	GENERAL TOLERANCES	SCALE:	NAME	DATE	PART.NO:	DWG.NO:
A0	NEW RELEASE	21.01.13	LINEAR	1:1	Wang_jr	21.01.13	WLU3F9-098XXX108	ENDE05
			0.0±0.35		Han_Gao	21.01.13		
			0.00±0.25		Zijun_Huang	21.01.13	TITLE: USB3.0 A TYPE 9P/F SMT H=3.5mm	
			0.000±0.10					



REV: A0 SHEET: 1/1