

The product using material and processing must conform to the "WL-PZ-001"HSF technical standard control requirements

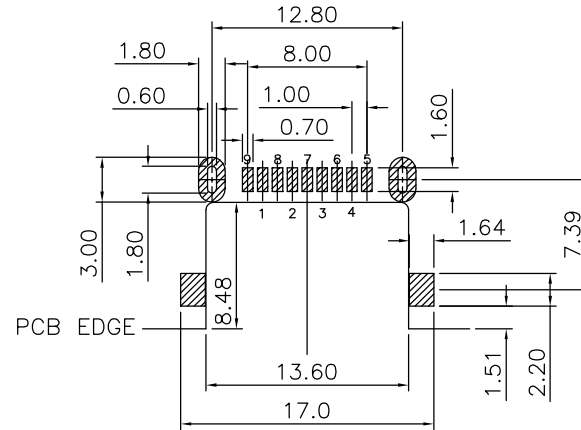
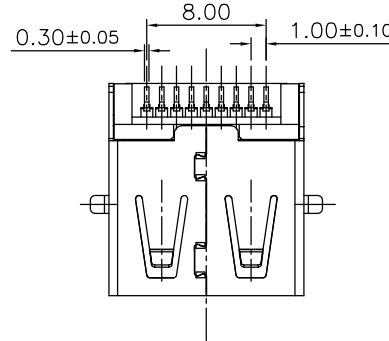
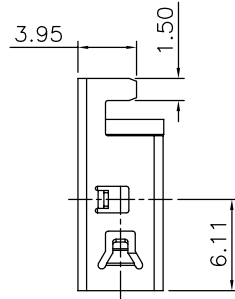
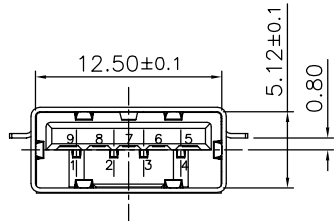
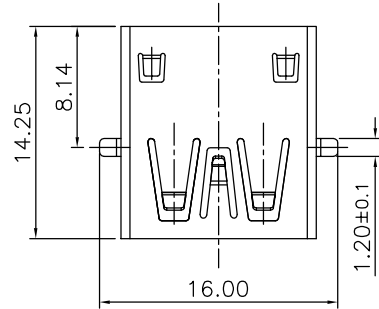
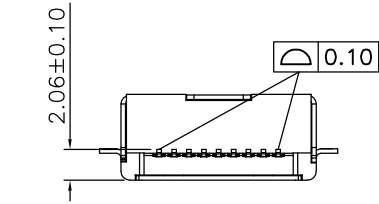
RoHS

NOTE:

- 1.MATERIAL SPECIFICATION:
  - 1-1.HOUSING:LCP BLUE UL94V-0
  - 1-2.CONTACTS:C2680.
  - 1-3.SHELL:STAINLESS STEEL.
- 2.PLATING SPECIFICATION:
  - 2-1.CONTACTS:
    - Ni 50u" MIN. UNDER PLATED OVER ALL.
    - Sn 80u"MIN ON SOLDER AREA
    - Au PLATED ON THE CONTACTS AREA.
  - 2-2. SHELL:
    - Ni 80u" MIN. UNDER PLATED OVER ALL.
- 3.MECHANICAL PERFORMANCE:
  - 3-1.INSERTION FORCE: 3.57kgf MAX
  - 3-2.REMOVAL FORCE: 1.02kgf MIN
  - 3-3.DURABILITY: 5000 CYCLES.
- 4.ELECTRICAL PERFORMANCE:
  - 4-1.CURRENT RATING:1.5A
  - 4-2.VOLTAGE RATING:30V MAX
  - 4-3.CONTACT RESISTANCE: 30mΩ MAX.
  - 4-4.INSULATION RESISTANCE: 1000MΩ MIN
  - 4-5.DIELECTRIC WITHSTANDING VOLTAGE: 100V AC MIN.
- 5.ENVIRONMENTAL PERFORMANCE:
  - OPERATING TEMPERATURE: -40°C~+85°C.
- 6.PACKAGE SPEC: TRAY
- 7.P/N ORDER:

WLU3F9-09 8 X X X 110

PLATING:	1-G/F	2-Au 3u"	5-Au 15u"	6-Au 30u"	SHELL:	1-SPCC	2-COPPER ALLOY	3-SUS
					HOUSING COLOUR:	A-BLACK	G-BLUE	



RECOMMENDED PCBA LAYOUT  
(TOLERANCE±±0.05)

Pin NUMBER	SIGNAL NAME	Pin NUMBER	SIGNAL NAME
1	VBUS	5	StdA_SSRX-
2	D-	6	StdA_SSRX+
3	D+	7	GND_DRAIN
4	GND	8	StdA_SSTX-
		9	StdA_SSTX+
SHELL	SHIELD	SHELL	SHIELD

REV.	REVISION RECORD	DATE	GENERAL TOLERANCES		SCALE:	NAME	DATE	PART.NO:	DWG.NO:
A0	NEW RELEASE	21.01.13	LINEAR	ANGLES	1:1	Wang_jr	21.01.13	WLU3F9-098XXX110	ENDE05
			0.0±0.35	X°REF±6°	APPROVED	Han_Gao	21.01.13	TITLE: USB3.0 A TYPE 9P/F SMT CH=0.8mm	 WanLian Teconology Co., Ltd
			0.00±0.25	X°±3°	DESIGNER	Zijun_Huang	21.01.13		
			0.000±0.10	X°X' ±2°	DRAWN				
			UNIT:mm					REV: A0	SHEET: 1/1