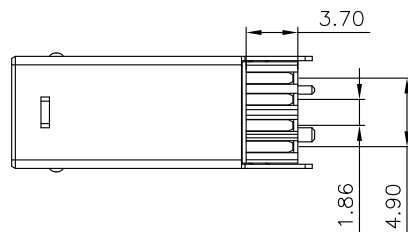
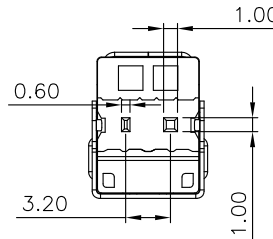
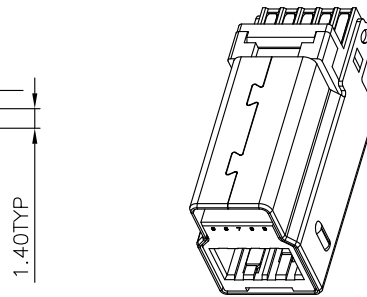
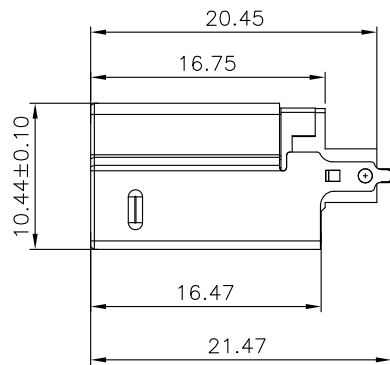
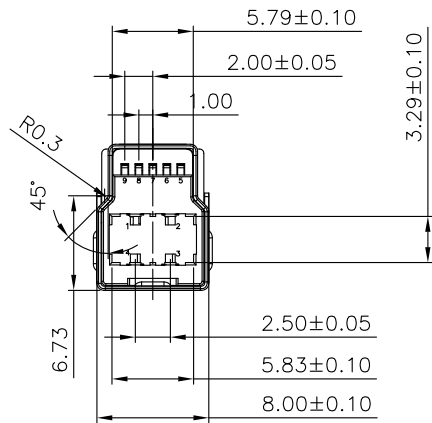


The product using material and processing must conform to the "WI-PZ-001"HSF technical standard control requirements

RoHS



NOTE:

- 1.MATERIAL SPECIFICATION:
 - 1-1.HOUSING:PBT+30%GF 94V-0 COLOUR:BLUE
 - 1-2.CONTACTS:COPPER ALLOY(T=0.25mm).
 - 1-3.SHELL:SPCC.
- 2.PLATING SPECIFICATION:
 - 2-1.CONTACTS:
 - Ni UNDER PLATED OVER ALL.
 - Sn ON SOLDER AREA
 - Au PLATED ON THE CONTACTS AREA.
 - 2-2. SHELL:
 - Ni UNDER PLATED OVER ALL.
- 3.MECHANICAL PERFORMANCE:
 - 3-1.INSERTION FORCE: 3.57kgf MAX
 - 3-2.REMOVAL FORCE: 1.02kgf MIN
 - 3-3.DURABILITY: 1500 CYCLES.
- 4.ELECTRICAL PERFORMANCE:
 - 4-1.CURRENT RATING:1.5A
 - 4-2.VOLTAGE RATING:30V MAX
 - 4-3.CONTACT RESISTANCE: 30m Ohm MAX.
 - 4-4.INSULATION RESISTANCE: 100MΩ MIN
 - 4-5.DIELECTRIC WITHSTANDING VOLTAGE: 100V AC MIN.
- 5.ENVIRONMENTAL PERFORMANCE:
 - OPERATING TEMPERATURE: -40°C~+85°C.
- 6.PACKAGE SPEC: BAG

WLU3M0-09 4 X X X 177

PLATED:

- 1-G/F
- 2-Au 3u"
- 5-Au 15u"
- 6-Au 30u"

 CAP:

- 1-PBT BLUE
- 2-LCP BLACK

 COLOUR:

- G-BLUE

REV.	REVISION RECORD	DATE	GENERAL TOLERANCES		SCALE:	NAME	DATE	PART.NO:	DWG.NO:	 WanLian Teconology Co., Ltd
A0	NEW RELEASE	21.01.13	LINEAR	ANGLES	1:1	Wang_jr	21.01.13	WLU3M0-094XXX177	ENDE05	
			0.0±0.35	X*REF±6°	APPROVED	Han_Gao	21.01.13	TITLE:		
			0.00±0.25	X°±3°	DESIGNER	Zijun_Huang	21.01.13	USB3.0 BM Welding wire L=20.45mm		
			UNIT:mm	X*X' ±2°	DRAWN			REV: A0	SHEET: 1/1	
			SIZE: A4	0.000±0.10						