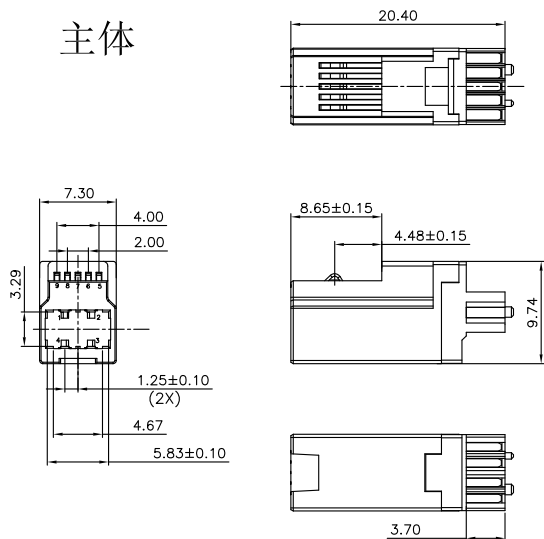


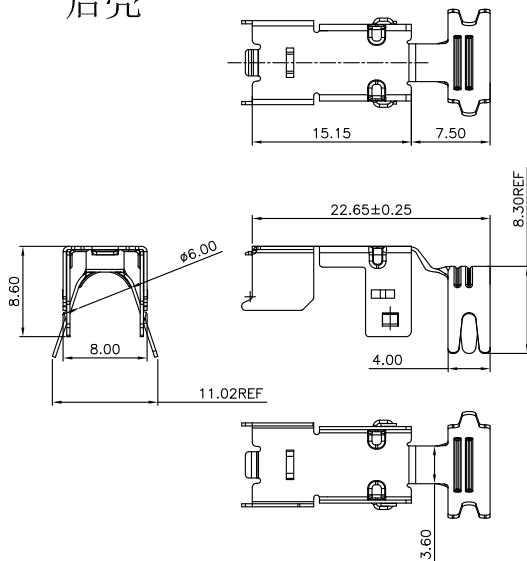
The product using material and processing must conform to the "WI-PZ-001"HSF technical standard control requirements



主体



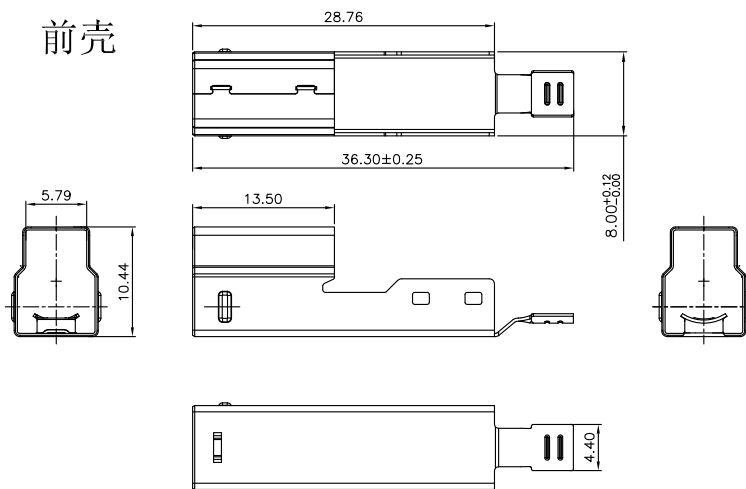
后壳



NOTE:

- 1.MATERIAL SPECIFICATION:
 - 1-1.HOUSING:PBT 94V-0 COLOUR:BLUE
 - 1-2.CONTACTS:COPPER ALLOY(T=0.25mm).
 - 1-3.SHELL:SPCC.
- 2.PLATING SPECIFICATION:
 - 2-1.CONTACTS:
 - Ni 50u" MIN. UNDER PLATED OVER ALL.
 - Sn 80u"MIN ON SOLDER AREA
 - Au PLATED ON THE CONTACTS AREA.
 - 2-2. SHELL:
 - Ni 30u" MIN. UNDER PLATED OVER ALL.
- 3.MECHANICAL PERFORMANCE:
 - 3-1.INSERTION FORCE: 3.57kgf MAX
 - 3-2.REMOVAL FORCE: 1.02kgf MIN
 - 3-3.DURABILITY: 1500 CYCLES.
- 4.ELECTRICAL PERFORMANCE:
 - 4-1.CURRENT RATING:1.5A
 - 4-2.VOLTAGE RATING:30V MAX
 - 4-3.CONTACT RESISTANCE: 30m Ohm MAX.
 - 4-4.INSULATION RESISTANCE: 100MΩ MIN
 - 4-5.DIELECTRIC WITHSTANDING VOLTAGE: 100V AC MIN.
- 5.ENVIRONMENTAL PERFORMANCE:
 - OPERATING TEMPERATURE: -40°C~+85°C.
- 6.PACKAGE SPEC: BAG

前壳



WLU3M0-09 4 X X X 178

- PLATED: 1-G/F, 2-Au 3u", 5-Au 15u", 6-Au 30u"
- CAP: 1-PBT BLUE, 2-LCP BLACK, COLOUR: G-BLUE

| | | | | | | | | | | | |
|------|-----------------|----------|----------|--------------------|----------|---------------|-------------|--|------------------------------|-------------------|--|
| REV. | REVISION RECORD | DATE | | GENERAL TOLERANCES | | SCALE: 1:1 | NAME | DATE | PART.NO: WLU3M0-094XXX178 | DWG.NO: ENDE05 | |
| A0 | NEW RELEASE | 21.01.13 | | LINEAR | ANGLES | APPROVED | Wang_jr | 21.01.13 | | | |
| | | | 0.0±0.35 | X°REF±6° | DESIGNER | Han_Gao | 21.01.13 | TITLE: USB3.0 BM three-piece L=36.3mm(OD=6.0) | | | |
| | | | UNIT:mm | 0.00±0.25 | X°±3° | DRAWN | Zijun_Huang | 21.01.13 | REV: A0 | SHEET: 1/1 | |
| | | | SIZE: A4 | 0.000±0.10 | X°X' ±2° | | | | | | |