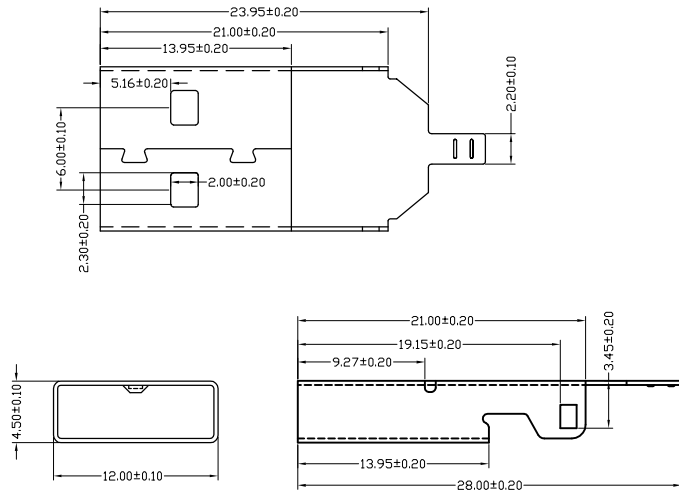


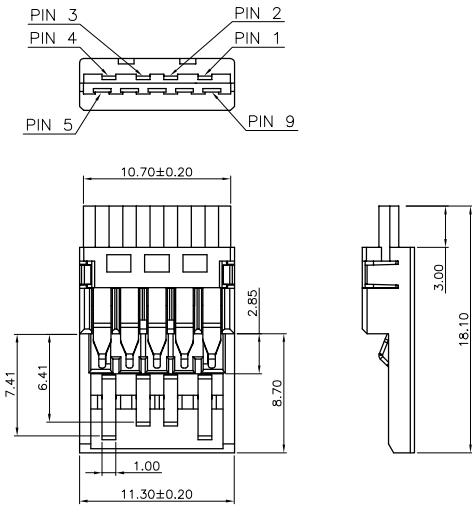
The product using material and processing must conform to the "WL-PZ-001"HSF technical standard control requirements

RoHS

FRONT SHELL



CONNECTOR

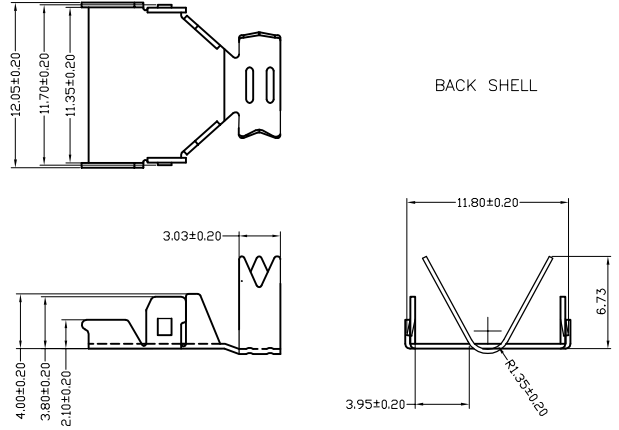


NOTE:
 1.MATERIAL SPECIFICATION:
 1-1.HOUSING:PBT/LCP UL94V-0 BLUE
 1-2.CONTACTS:COPPER ALLOY(T=0.25mm)
 1-3.SHELL: SPCC
 2.PLATING SPECIFICATION:
 2-1.CONTACTS:
 AU PLATED ON CONTACT AREA
 TIN PLATED ON SOLDER AREA
 NICKEL UNDERPLATING OVER ALL
 2-2. SHELL:
 Ni UNDER PLATED OVER ALL.
 3.MECHANICAL PERFORMANCE:
 3-1.INSERTION FORCE: 3.57kgf MAX
 3-2.REMOVAL FORCE: 1.02kgf MIN
 4.ELECTRICAL PERFORMANCE:
 4-1.CURRENT RATING:1.5A
 4-2.VOLTAGE RATING:30V MAX
 4-3.CONTACT RESISTANCE: 30m Ohm MAX.
 4-4.INSULATION RESISTANCE: 1000MΩ MIN
 4-5.DIELECTRIC WITHSTANDING VOLTAGE: 100V AC MIN.
 5.ENVIRONMENTAL PERFORMANCE:
 OPERATING TEMPERATURE: -40°C~+85°C.
 PACKAGE SPEC: BAG

PART.NO.:
 WLU3M0-094 X X X 202

PLATING: _____ HOUSING:
 1-G/F 1-PBT
 2-Au 3u" 2-LCP
 5-Au 15u" HOUSING COLOUR:
 6-Au 30u" A-BLACK
 G-BLUE

BACK SHELL



PIN	PIN 1	PIN 2	PIN 3	PIN 4	PIN 5	PIN 6	PIN 7	PIN 8	PIN 9
SIGNAL NAME	VBUS	D-	D+	GND	StdA_SSRX-	StdA_SSRX+	GND_DRAIN	StdA_SSTX-	StdA_SSTX+

REV.	REVISION RECORD	DATE	GENERAL TOLERANCES		SCALE:	NAME	DATE	PART.NO:	DWG.NO:	 WanLian Teconology Co., Ltd	
A0	NEW RELEASE	21.01.13	LINEAR	ANGLES	1:1	APPROVED	Wang_jr	21.01.13	WLU3M0-094XXX202		ENDE05
			0.0±0.35	X°REF±6°		DESIGNER	Han_Gao	21.01.13	TITLE:		
			0.00±0.25	X°±3°		DRAWN	Zijun_Huang	21.01.13	USB3.0 A/M solder L=28.0mm OD3.0		
			UNIT:mm	0.00±0.10						REV: A0	
			SIZE: A4	X°X' ±2°						SHEET: 1/1	