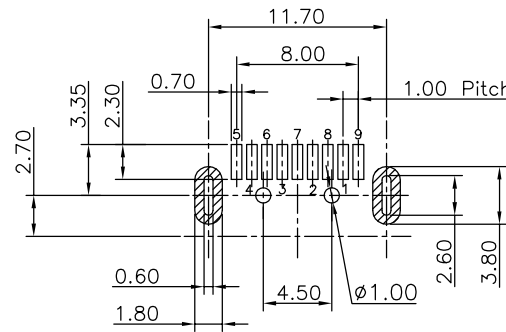
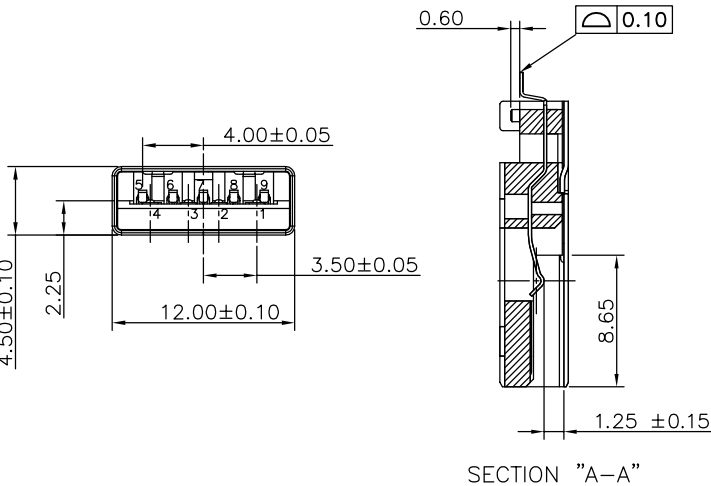
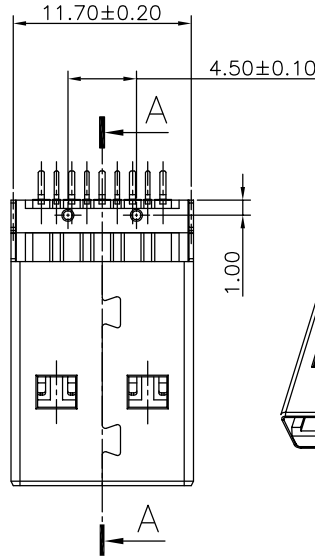
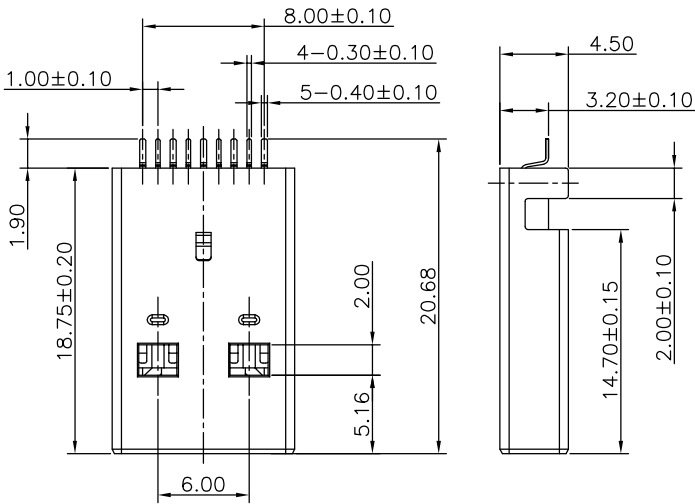


The product using material and processing must conform to the "WL-PZ-001"HSF technical standard control requirements



- NOTE:
- MATERIAL SPECIFICATION:
 - HOUSING: LCP BLUE UL94V-0.
 - CONTACTS: COPPER ALLOY.
 - SHELL: METAL.
 - PLATING SPECIFICATION:
 - CONTACTS: AU G/F MIN. ON MATING AREA. TIN 80u"MIN ON THE TAILS
 - SHELL: Ni 80u" MIN. UNDER PLATED OVER ALL.
 - MECHANICAL PERFORMANCE:
 - INSERTION FORCE: 3.57kgf MAX
 - REMOVAL FORCE: 1.02kgf MIN
 - DURABILITY: 1500 CYCLES.
 - ELECTRICAL PERFORMANCE:
 - CURRENT RATING:1.5A
 - VOLTAGE RATING:30V MAX
 - CONTACT RESISTANCE: 30m Ohm MAX.
 - INSULATION RESISTANCE: 100MΩ MIN
 - DIELECTRIC WITHSTANDING VOLTAGE: 100V AC MIN.
 - ENVIRONMENTAL PERFORMANCE:
 - OPERATING TEMPERATURE: -40°C~+85°C.
 - PACKAGE SPEC: TRAY
 - P/N ORDER: WLU3M9-09 8 X X X 03-100

PLATING:

- 1-G/F
- 2-Au 3u"
- 5-Au 15u"
- 6-Au 30u"


SHELL:

- 1-SPCC
- 2-COPPER ALLOY
- 3-SUS

HOUSING COLOUR:

- A-BLACK
- G-BLUE

Pin NUMBER	SIGNAL NAME	Pin NUMBER	SIGNAL NAME
1	VBUS	5	StdA_SSRX-
2	D-	6	StdA_SSRX+
3	D+	7	GND_DRAIN
4	GND	8	StdA_SSTX-
		9	StdA_SSTX+
SHELL	SHIELD	SHELL	SHIELD

REV.	REVISION RECORD	DATE	GENERAL TOLERANCES		SCALE:	NAME	DATE	PART.NO:	DWG.NO:	 WanLian Teconology Co., Ltd
A0	NEW RELEASE	21.01.13	LINEAR	ANGLES	1:1	Wang_jr	21.01.13	WLU3M9-098XXX076	ENDE05	
			0.0±0.35	X°REF±6°	APPROVED	Han_Gao	21.01.13	TITLE: USB3.0 A TYPE 9P/M SMT H3.2mm	REV: A0	
			0.00±0.25	X'±3°	DESIGNER	Zijun_Huang	21.01.13			
			UNIT:mm	0.00±0.10						
			SIZE: A4	X°X'±2°						