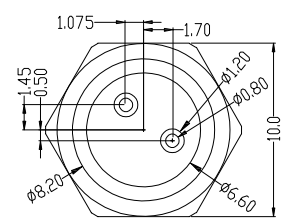
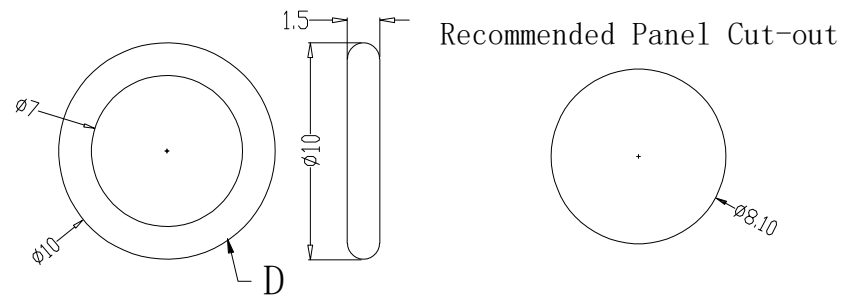
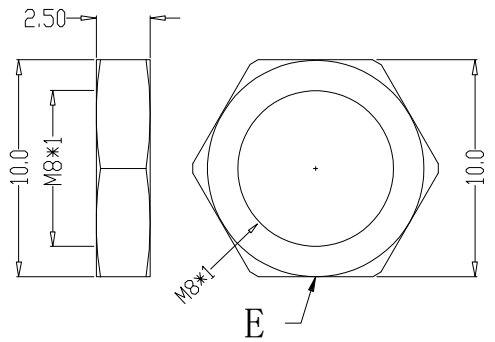
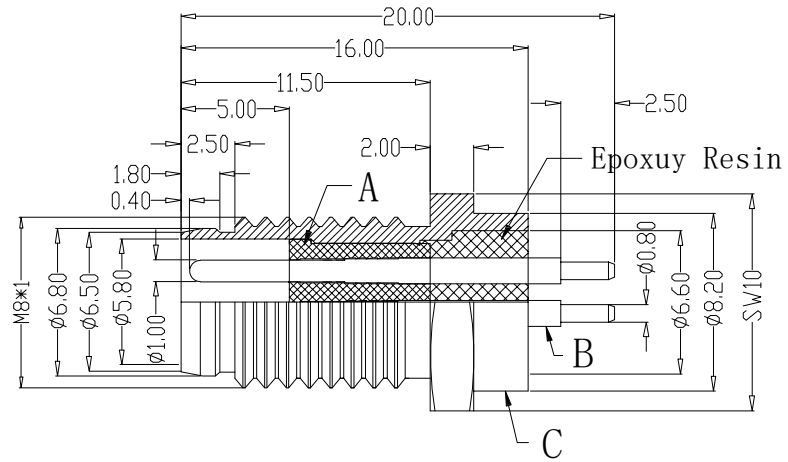
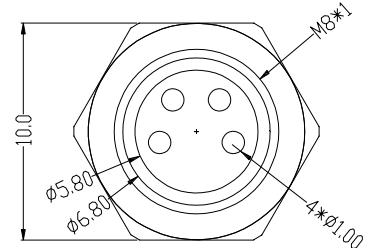
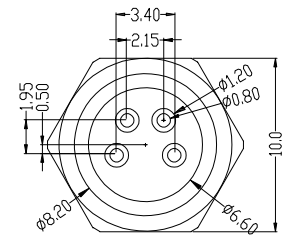
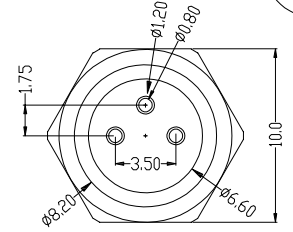
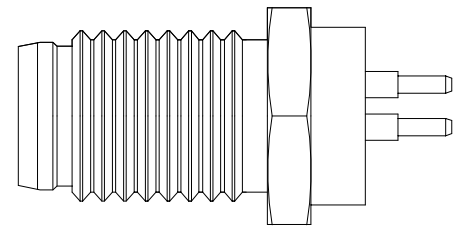


The product using material and processing must conform to the "WL-PZ-001" HSF technical standard control requirements

RoHS

	2pin	3pin	4pin
图形			
CODE	A-code	A-code	A-code



P/N	TITLE
M08A02-03-030	M8防水 A-CODE 2P板端公头 前锁面板式M8 SW10-16全金属
M08A03-03-030	M8防水 A-CODE 3P板端公头 前锁面板式M8 SW10-16全金属
M08A04-03-030	M8防水 A-CODE 4P板端公头 前锁面板式M8 SW10-16全金属

Engagemnt firce	≤30N	Rated voltage	60v	PARTS	MARERIALS	TREATMENT	AMOUNT
Disengagement force	≥5N	Rated current	4A	A	HOUSING	PA66+GF	SPECIFY COLOR 1
Mechanical lifespan	≥500	Insulation resistrance	≥1000MΩ	B	CONTACT	BRASS	GOLD PLATED 2~4
IP rating	IP67/IP68	Conract resistangce	≤10MΩ	C	OUTER CONTACT	BRASS	NICKL PLATED 1
Flammability	UL94 V-0	Operation Temperature	-40° C~105° C	D	O-RING	EPDM	BLACK 1
				E	NUT	BRASS	NICKL PLATED 1

REV.	REVISION RECORD	DATE	GENERAL TOLERANCES	SCALE:	NAME	DATE	PART.NO:	DWG.NO:
A0	NEW RELEASE		LINEAR	1:1			M08XXX-03-030	ENDE05
			ANGLES	APPROVED				
			0.0±0.35	DESIGNER				
			X'REF±6'	DRAWN				
			UNIT:mm				TITLE:	
			0.00±0.25				M8防水 2~4P板端公头 前锁面板式M8 AW10-16全金属	
			0.000±0.10					REV: A0 SHEET: 1/1
			X'X' ±2'					

