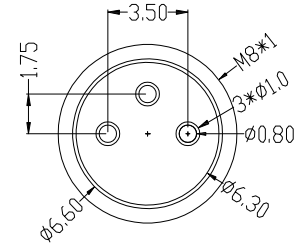
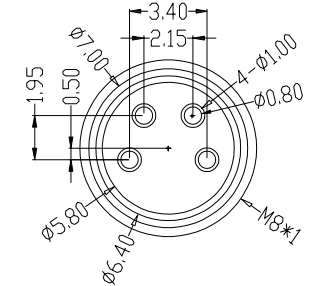
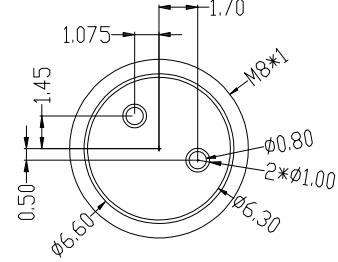
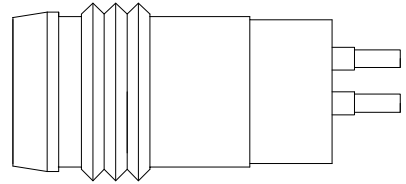
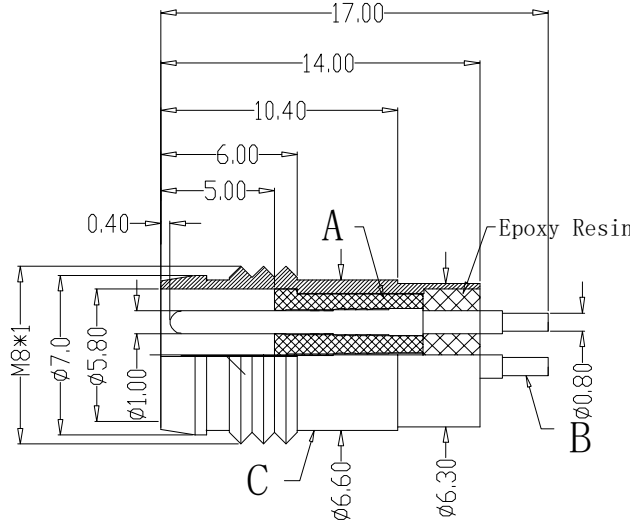
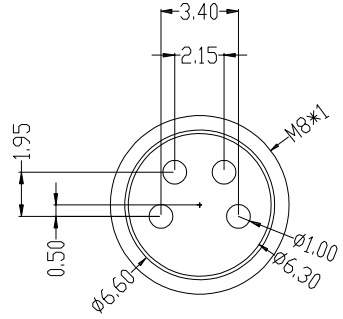


The product using material and processing must conform to the "WL-PZ-001" HSF technical standard control requirements

RoHS

	2pin	3pin	4pin
图形			
CODE	A-code	A-code	A-code



Engagemer firce	≤30N	Rated voltage	60v	PARTS	MARERIALS	TREATMENT	AMOUNT
Disengagement force	≥5N	Rated current	4A	A HOUSING	PA66+GF	SPECIFY COLOR	1
Mechanical lifespan	≥500	Insulation resistance	≥1000MΩ	B CONTACT	BRASS	GOLD PLATED	2~4
IP rating	IP67/IP68	Conract resistangce	≤10MΩ	C OUTER CONTACT	BRASS	NICKL PLATED	1
Flammability	UL94 V-0	Operation Temperature	-40° C~105° C	D			

P/N	TITLE
M08A02-03-034	M8防水 A-CODE 2P 板端公头 一体式带牙五金外壳 14L
M08A03-03-034	M8防水 A-CODE 3P 板端公头 一体式带牙五金外壳 14L
M08A04-03-034	M8防水 A-CODE 4P 板端公头 一体式带牙五金外壳 14L

REV.	REVISION RECORD	DATE		GENERAL TOLERANCES	SCALE: 1:1	NAME	DATE	PART.NO: M08XXX-03-034	DWG.NO: ENDE05	
A0	NEW RELEASE			LINEAR	ANGLES					
			0.0±0.35	X'REF±6'	DESIGNER	TITLE: M8防水 2~4P板端公头 一体式带牙五金外壳 14L	REV: A0	SHEET: 1/1		
			UNIT:mm	0.00±0.25	X'±3'	DRAWN				
			SIZE: A4	0.000±0.10	X'X' ±2'					