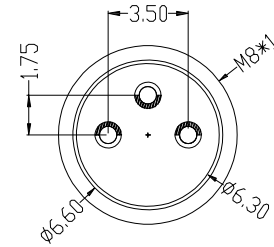
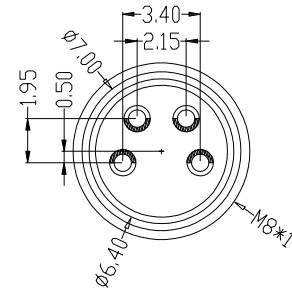
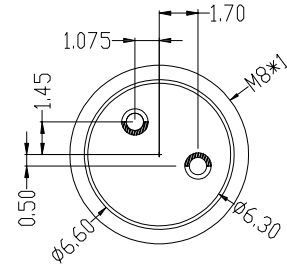
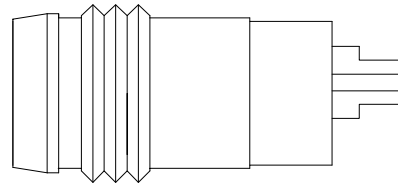
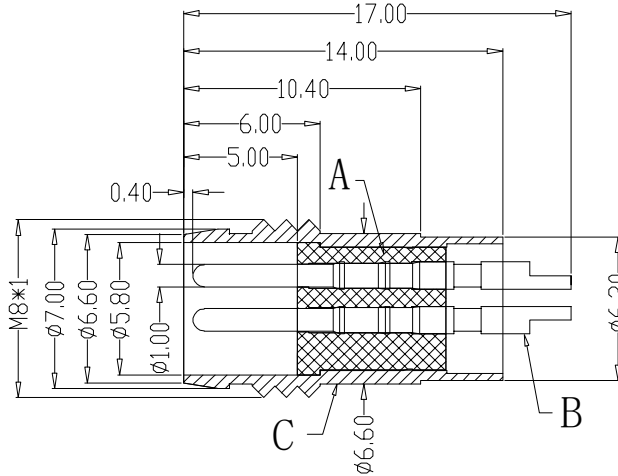
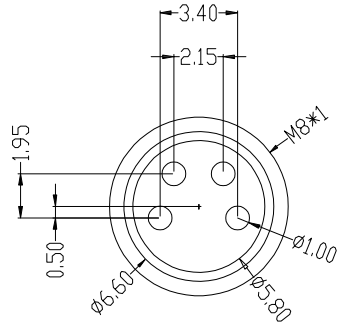


The product using material and processing must conform to the "WL-PZ-001" HSF technical standard control requirements

RoHS

	2pin	3pin	4pin
图形			
CODE	A-code	A-code	A-code



Engagemer firce	≤30N	Rated voltage	60v	PARTS	MARERIALS	TREATMENT	AMOUNT
Disengagement force	≥5N	Rated current	4A	A	HOUSING	PA66+GF	SPECIFY COLOR 1
Mechanical lifespan	≥500	Insulation resistance	≥1000MΩ	B	CONTACT	BRASS	GOLD PLATED 2~4
IP rating	IP67/IP68	Conract resistangce	≤10MΩ	C	OUTER CONTACT	BRASS	NICKL PLATED 1
Flammability	UL94 V-0	Operation Temperature	-40° C~105° C	D			

P/N	TITLE
M08A02-03-035	M8防水 A-CODE 2P 线端公头 一体式带牙五金外壳 14L
M08A03-03-035	M8防水 A-CODE 3P 线端公头 一体式带牙五金外壳 14L
M08A04-03-035	M8防水 A-CODE 4P 线端公头 一体式带牙五金外壳 14L

REV.	REVISION RECORD	DATE		GENERAL TOLERANCES		SCALE:	NAME	DATE	PART.NO:	DWG.NO:	 WanLian Technology Co., Ltd
A0	NEW RELEASE	21.11.17		LINEAR	ANGLES	1:1					
			UNIT:mm	0.0±0.35	X'REF±6°	APPROVED			M08XXX-03-035	ENDE05	
			SIZE: A4	0.00±0.25	X'±3'	DESIGNER			TITLE:		
				0.000±0.10	X'X' ±2'	DRAWN			M8防水 2~4P线端公头 一体式带牙五金外壳 14L		REV: A0 SHEET: 1/1