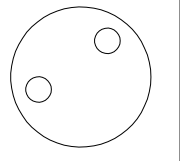
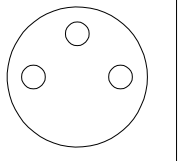
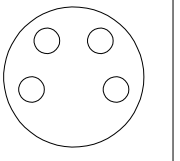
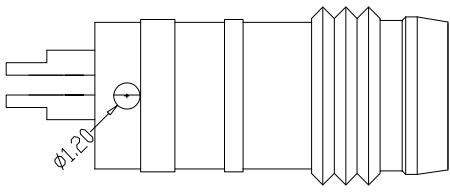
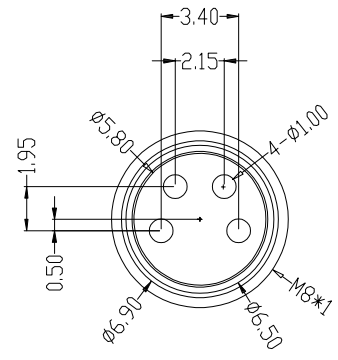
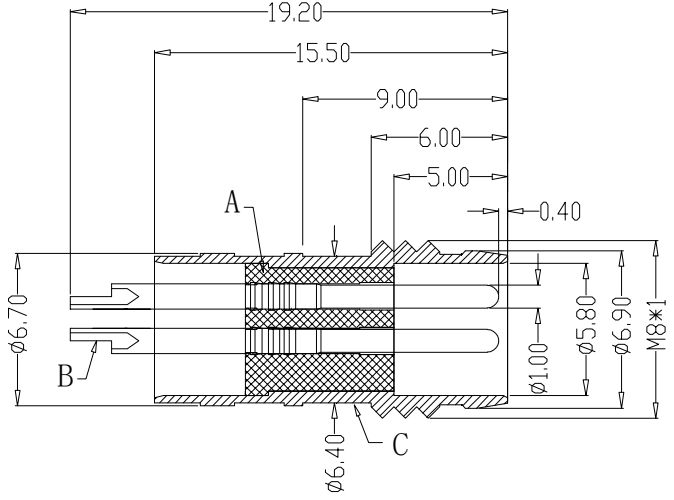
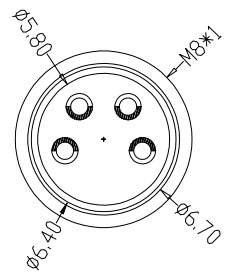


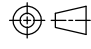

The product using material and processing must conform to the "WL-PZ-001" HSF technical standard control requirements

RoHS

	2pin	3pin	4pin
图形			
CODE	A-code	A-code	A-code



		Engagemenr firce	≤30N	Rated voltage	60v		PARTS	MARERIALS	TREATMENT	AMOUNT
		Disengagement force	≥5N	Rated current	4A	A	HOUSING	PA66+GF	SPECIFY COLOR	1
		Mechanical lifespan	≥500	Insulation resistrance	≥1000MΩ	B	CONTACT	BRASS	GOLD PLATED	2~4
		IP rating	IP67/IP68	Conract resistangce	≤10MΩ	C	OUTER CONTACT	BRASS	NICKL PLATED	1
		Flammability	UL94 V-0	Operation Temperature	-40° C~105° C					
P/N	TITLE									
M08A02-03-036	M8防水 A-CODE 2P 线端公头主体 一体式带牙五金外壳 15.5L									
M08A03-03-036	M8防水 A-CODE 3P 线端公头主体 一体式带牙五金外壳 15.5L									
M08A04-03-036	M8防水 A-CODE 4P 线端公头主体 一体式带牙五金外壳 15.5L									

REV.	REVISION RECORD	DATE		GENERAL TOLERANCES		SCALE: 1:1	NAME	DATE	PART.NO:	DWG.NO:	 WanLian Technology Co., Ltd
A0	NEW RELEASE	21.11.17		LINEAR	ANGLES	APPROVED			M08XXX-03-036	ENDE05	
			0.0±0.35	X'REF±6°	DESIGNER			TITLE:			
			UNIT:mm	0.00±0.25	X'±3'	DRAWN		M8防水 2~4P线端公头主体 一体式带牙五金外壳 15.5L		REV: A0	
			SIZE: A4	0.000±0.10	X'X' ±2'						