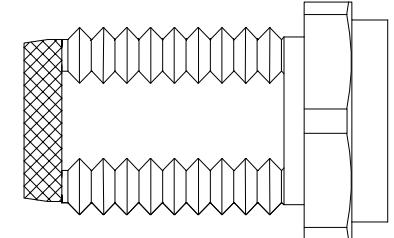
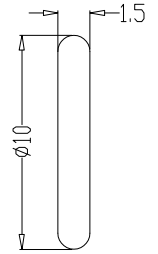
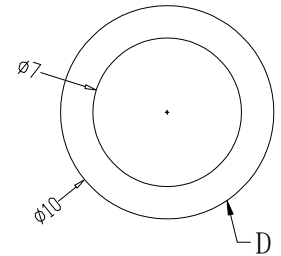
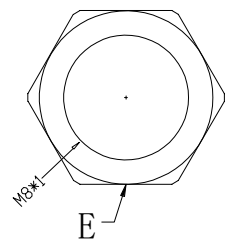
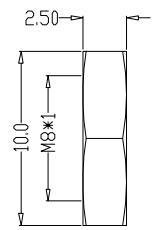
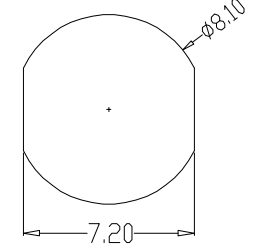
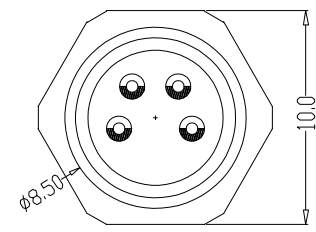
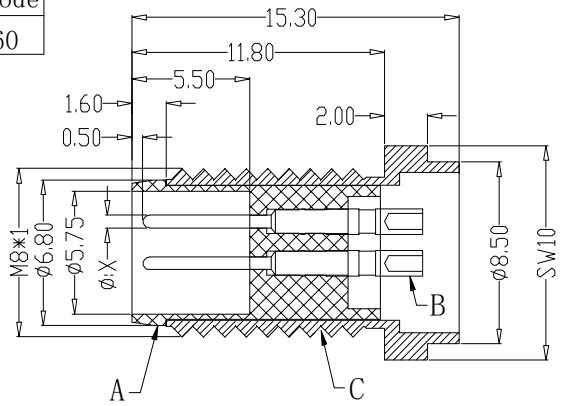
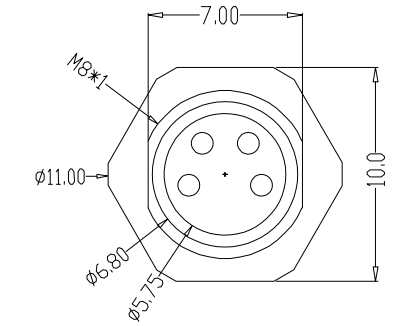


The product using material and processing must conform to the "WL-PZ-001"HSF technical standard control requirements

RoHS

	2pin	3pin	4pin	5pin	6pin	8pin
图形						
CODE	A-code	A-code	A-code	B-code	A-code	A-code
X值	1.00	1.00	1.00	1.00	0.72	0.60

Recommended Panel Cut-out



P/N	TITLE	Engagemnr firce	Disengagement force	Mechanical lifespan	IP rating	Flammability	Rated volage	Rated current	Insulation resirance	Conract resistangece	Operation Temperature	PARTS	MARERIALS	TREATMENT	AMOUNT	
M08A02-03-037	M8防水 A-CODE 2P线端公头 前锁面板式M8 SW10T-13. 7L后灌胶	≤50N	≥5N	≥500	IP67/IP68	UL94 V-0	2-5pin:60v DC 6-8PIN:30V DC	2-5pin:4A 6-8PIN:2A	≥1000MΩ	≤10MΩ	-40° C~105° C	A	HOUSING	PA66+GF	SPECIFY COLOR	1
M08A03-03-037	M8防水 A-CODE 3P线端公头 前锁面板式M8 SW10T-13. 7L后灌胶											B	CONTACT	BRASS	GOLD PLATED	2~8
M08A04-03-037	M8防水 A-CODE 4P线端公头 前锁面板式M8 SW10T-13. 7L后灌胶											C	OUTER CONTACT	BRASS	NICKL PLATED	1
M08B05-03-037	M8防水 B-CODE 5P线端公头 前锁面板式M8 SW10T-13. 7L后灌胶											D	O-RING	EPDM	BLACK	1
M08A06-03-037	M8防水 A-CODE 6P线端公头 前锁面板式M8 SW10T-13. 7L后灌胶											E	NUT	BRASS	NICKL PLATED	1
M08A08-03-037	M8防水 A-CODE 8P线端公头 前锁面板式M8 SW10T-13. 7L后灌胶															

REV.	REVISION RECORD	DATE		GENERAL TOLERANCES		SCALE: 1:1	NAME	DATE	PART.NO: M08XXX-03-037	DWG.NO: ENDE05	 WanLian Technology Co., Ltd
A0	NEW RELEASE	21.11.17		LINEAR	ANGLES						
			UNIT:mm	0.0±0.35	X°REF±6°	DESIGNER			TITLE: M8防水 2~8P线端公头 前锁面板式M8 SW10T-13. 7L后灌胶		
			SIZE: A4	0.00±0.25	X°±3°	DRAWN				REV: A0	SHEET: 1/1
				0.000±0.10	X°X' ±2°						